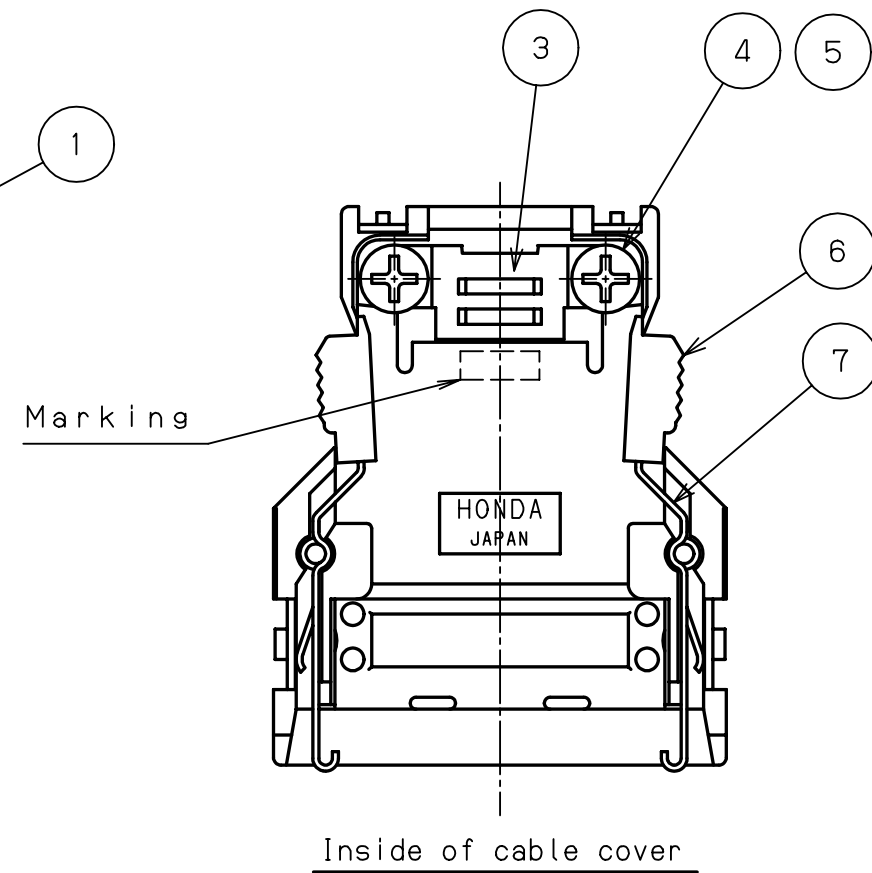


Part No.	Applicable cable jacket O.D.	Marking
PCR-V20LA	6 DIA.	20A
PCR-V20LB	8 DIA.	20B



Inside of cable cover

LTR.	DATE	BY	REV.	DESCRIPT	No.	PART NAME	MATERIAL	QTY	FINISH	NOTE
					7	Lock	STAINLESS STEEL	2	---	---
					6	Cap	P. C (GF)	2	---	UL94V-0 Gray
					5	Insert screw	Steel	2	Nickel plating	---
					4	Screw	Steel	2	Nickel plating	Append
					3	Clamp	Stainless Steel	1	---	Append
					2	Cover B	P. C (GF)	1	---	UL94V-0 Gray
	OCT. 23 2003	T. K	Append add.		1	Cover A	P. C (GF)	1	---	UL94V-0 Gray
DATE						SCALE	UNIT	3RD. A. P		
MAY. 15. 1997						2 / 1	mm (INCH)	HONDA TSUSHIN KOGYO CO., LTD.		
APP. DATE & REV.										
DR.	DE.	CHK.	CHK.	APP.	NAME		PCR-E TYPE CABLE COVER			
Y. OHMORI	Y. OHMORI	T. SOGO	K. HOMMA	M. TAKAHASHI	PART NO.		PCR-V20L ()		REV	
									1B	