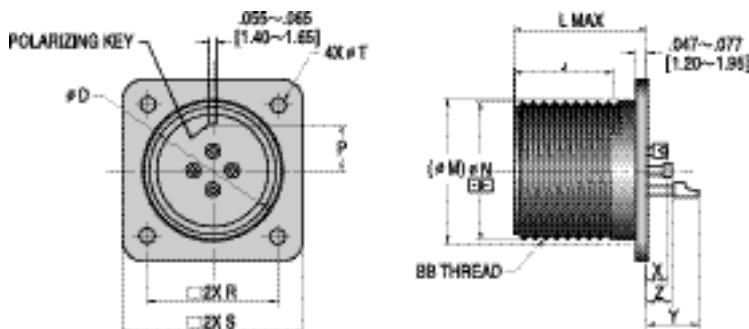


# MIL-C-5015 SERIES

## Hermetic Connectors



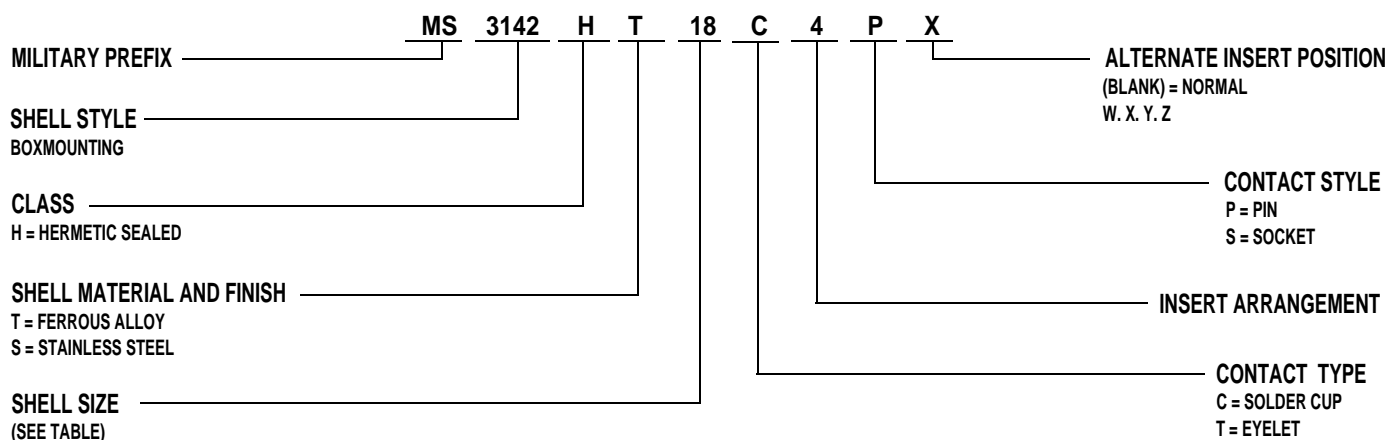
### MS 3142H - Hermetic Box Mounting Receptacle



Contact Size	EYELET		SOLDER CUP		SHORT SOLDER CUP	
	X MAX	Y MAX	Z MAX	X MAX	Y MAX	Z MAX
16	.219	(5.56)	.375	(9.52)	.250	(6.35)
12	.281	(7.13)	.516	(13.10)	.328	(8.33)
8	-	-	.719	(18.26)	.469	(11.91)
4	-	-	.980	(24.89)	-	-
0	-	-	.980	(24.89)	-	-

Inch(mm)

### EXPLANATION OF MS PART NUMBER



Inch(mm)

Shell Size	BB Thread Class 2A	ØD	L MAX		MIN THREAD	ØN		P	□R	□S	ØT							
			SIZE 20, 16 12&8 CONT	SIZE 4, 0 CONTACT		ØN	MOUNTING HOLE DIM											
8S	1/2-28 UNEF	.385 .370	.730	(18.54)	.375	(9.52)	.532 .470	(13.51) (11.94)	.562	(14.27)	.140 .130	(3.55) (3.30)	.594	(15.08)	.906 .844	(23.01) (21.43)		
10S	5/8-24 UNEF	.463					.656	(16.66)	.562	(17.47)	.175	(4.44)	.719	(18.26)	1.031	(26.18)		
10SL	5/8-20 UNEF	.448					.594	(15.09)	.938	(23.82)	.165	(4.19)	.906	(23.01)	.969	(24.61)		
12S	3/4-20 UNEF	.573 .558					.782 .720	(19.86) (18.28)	.812	(20.62)	.234 .224	(5.94) (5.68)	.812	(20.62)	1.125 1.063	(28.57) (27.00)		
14S	7/8-20 UNEF	.693 .678	.906 .844	(23.01) (21.44)	.938	(23.82)	.273 .263	(6.93) (6.68)	.906	(23.01)	1.219 1.157	(30.96) (29.39)						
16S	1-20 UNEF	.823 .808	1.040	(26.41)			1.032 .970	(26.21) (24.64)	1.062	(26.97)	.335 .325	(8.51) (8.25)	.969	(24.61)	1.312 1.250	(33.32) (31.75)		
12	3/4-20 UNEF	.573 .558					.782 .720	(19.86) (18.28)	.812	(20.62)	.234 .224	(5.94) (5.68)	.812	(20.62)	1.219 1.157	(30.96) (29.39)		
14	7/8-20 UNEF	.693 .678					.906 .844	(23.01) (21.44)	.938	(23.82)	.273 .263	(6.92) (6.68)	.906	(23.01)	1.312 1.250	(33.32) (31.75)		
16	1-20 UNEF	.823 .808					1.032 .970	(26.21) (24.64)	1.062	(26.97)	.335 .325	(8.51) (8.25)	.969	(24.61)	1.312 1.250	(33.32) (31.75)		
18	1 1/8-18UNEF	.948 .933	.915	(23.24)	.625	(15.87)	1.156 1.094	(29.36) (27.78)	1.188	(30.17)	.395 .385	(10.03) (9.78)	.1062	(26.97)	1.406 1.344	(35.71) (34.14)		
20	1 1/4-18UNS	1.068 1.053					1.282 1.220	(32.56) (30.98)	1.312	(33.32)	.473 .463	(12.01) (11.76)	1.156	(29.36)	1.531 1.469	(38.89) (37.31)		
22	1 3/8-18UNS	1.193 1.178					1.406 1.344	(35.56) (34.14)	1.438	(36.52)	.520 .510	(13.20) (12.95)	1.250	(31.75)	1.656 1.594	(42.06) (40.49)		
24	1 1/2-18UNS	1.318 1.303					1.532 1.470	(38.91) (37.33)	1.562	(39.67)	.583 .537	(14.80) (14.55)	1.375	(34.92)	1.781 1.719	(45.24) (43.66)		
28	1 1/8-18UNS	1.538 1.523	1.040	(26.42)			1.782 1.720	(45.26) (43.68)	1.812	(46.02)	.693 .683	(17.60) (17.34)	1.562	(39.67)	2.031 1.969	(51.59) (50.01)		
32	2-18 UNS	1.788 1.773					2.032 1.970	(51.61) (50.03)	2.062	(52.37)	.818 .808	(20.77) (20.52)	1.750	(44.45)	2.281 2.219	(57.94) (56.36)		
36	2 1/4-16UN	2.000 1.985					2.282 2.220	(57.96) (56.38)	2.312	(58.72)	.925 .915	(23.49) (23.24)	1.938	(49.22)	2.531 2.469	(64.29) (62.71)		
40	2 1/2-16UN	2.252 2.237					2.532 2.470	(64.31) (62.73)	2.562	(65.07)	1.033 1.023	(26.23) (25.98)	2.188	(55.57)	2.781 2.719	(70.64) (69.06)		
44	2 3/4-16UN	2.507 2.492	2.782 2.720	(70.66) (69.08)	2.812	(71.42)	1.160 1.150	(29.46) (29.21)	2.375	(60.32)	3.037 2.969	(76.99) (75.41)						
48	3-16 UN	2.757 2.742	3.032 2.970	(77.01) (75.43)	3.062	(77.77)	1.285 1.275	(32.63) (32.38)	2.625	(66.57)	3.281 3.219	(83.34) (81.76)						

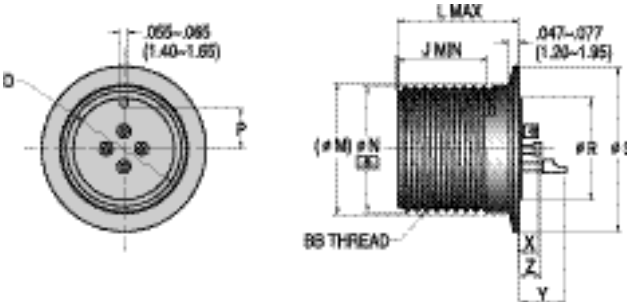
MIL-C-5015 Series

# MIL-C-5015 SERIES

## Hermetic Connectors

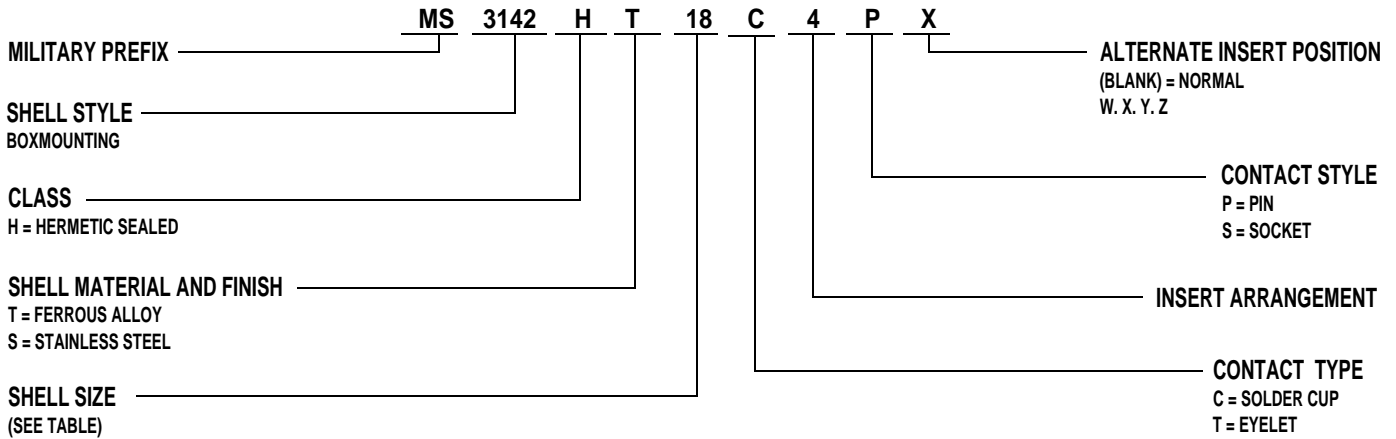


### MS3143 - Solder Mount



Contact Size	EYELET		SOLDER CUP		SHORT SOLDER CUP	
	X MAX	Y MAX	Z MAX			
16	.219 (5.56)	.375 (9.52)	.250 (6.35)			
12	.281 (7.13)	.516 (13.10)	.328 (8.33)			
8	-	.719 (18.26)	.469 (11.91)			
4	-	.980 (24.89)	-			
0	-	.980 (24.89)	-			

### EXPLANATION OF MS PART NUMBER



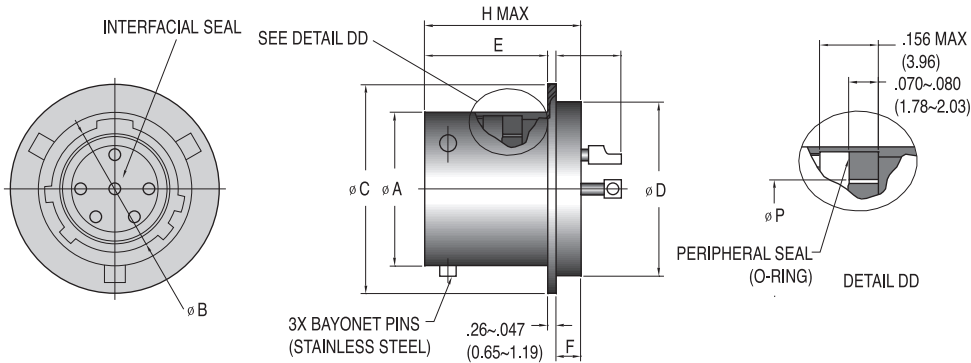
Shell Size	BB Thread Class 2A	ØD	L MAX		J WIN THREAD	(ØM) MOUNTING HOLE DIM		ØN	P	ØR	ØS	ØSS		
			SIZE 20, 16 12&8 CONT	SIZE 4&0 CONT										
8S	1/2-28 UNEF	.385 (9.78) .370 (9.40)	.730 (18.54)	---	.375 (9.52)	.562 (14.27)	.532 (13.51) .470 (11.94)	.140 (3.55) .130 (3.30)	.438 (11.12) .418 (10.61)	.760 (19.30) .740 (18.79)	.438 (11.12) .418 (10.61)	.418 (10.61)		
10S	5/8-24 UNEF	.463 (11.76)					---	---	.688 (17.47)	.656 (16.66) .175 (4.44)	.500 (12.70)	.885 (22.47)	.500 (12.70)	
10SL	5/8-24 UNEF	.448 (11.38)					---	---	.594 (15.09)	.165 (4.19)	.480 (12.19)	.865 (21.97)	.480 (12.19)	
12S	3/4-20 UNEF	.573 (14.55) .558 (14.17)					---	---	.812 (20.62)	.782 (19.86) .720 (18.28)	.234 (5.94) .224 (5.68)	.656 (16.66) .636 (16.15)	1.010 (25.65) .990 (25.14)	.656 (16.66) .636 (16.15)
14S	7/8-20 UNEF	.693 (17.60) .678 (17.22)	---	---	.938 (23.82)	.906 (23.01) .844 (21.44)	.273 (6.93) .263 (6.68)	.719 (18.26) .699 (17.75)	1.135 (28.82) 1.115 (28.32)	.719 (18.26) .699 (17.75)				
16S	1-20 UNEF	.823 (20.90) .808 (20.52)	.915 (23.24)	1.040 (26.41)	.625 (15.87)	1.062 (26.97)	1.032 (26.21) .970 (24.64)	.335 (8.51) .325 (8.25)	.844 (21.43) .842 (20.92)	1.260 (32.00) 1.240 (31.49)	.844 (21.43) .842 (20.92)	.844 (21.43) .842 (20.92)		
12	3/4-20 UNEF	.573 (14.55) .558 (14.17)					---	---	.812 (20.62)	.782 (19.86) .720 (18.28)	.234 (5.94) .224 (5.68)	.656 (16.66) .636 (16.15)	1.010 (25.65) .990 (25.14)	.656 (16.66) .636 (16.15)
14	7/8-20 UNEF	.693 (17.60) .678 (17.22)					---	---	.938 (23.82)	.906 (23.01) .844 (21.44)	.273 (6.93) .263 (6.68)	.719 (18.26) .699 (17.75)	1.135 (28.82) 1.115 (28.32)	.719 (18.26) .699 (17.75)
16	1-20 UNEF	.823 (20.90) .808 (20.52)					---	---	1.062 (26.97)	1.032 (26.21) .970 (24.64)	.335 (8.51) .325 (8.25)	.844 (21.43) .824 (20.92)	1.260 (32.00) 1.240 (31.49)	.844 (21.43) .824 (20.92)
18	1 1/8-18UNEF	.948 (24.08) .933 (23.69)	.915 (23.24)	1.040 (26.41)	.625 (15.87)	1.188 (30.17)	1.156 (29.36) 1.094 (27.28)	.395 (10.03) .385 (9.78)	.969 (24.61) .949 (24.10)	1.385 (35.17) 1.365 (34.67)	.969 (24.61) .949 (24.10)	.969 (24.61) .949 (24.10)		
20	1 1/4-18UNEF	1.068 (27.13) 1.053 (26.74)					---	---	1.312 (33.32)	1.282 (32.56) 1.220 (30.98)	.473 (12.01) .463 (11.76)	1.156 (29.36) 1.136 (28.85)	1.510 (38.35) 1.490 (37.84)	1.156 (29.36) 1.136 (28.85)
22	1 3/8-18UNEF	1.193 (30.30) 1.173 (29.79)					---	---	1.438 (36.52)	1.406 (35.71) 1.344 (34.14)	.520 (13.20) .510 (12.95)	1.250 (31.75) 2.230 (31.24)	1.635 (41.52) 1.615 (41.02)	1.250 (31.75) 2.230 (31.24)
24	1 1/2-18UNEF	1.318 (33.47) 1.303 (33.09)					---	---	1.562 (39.67)	1.532 (38.91) 1.470 (37.33)	.583 (14.80) .573 (14.55)	1.375 (35.92) 1.355 (34.41)	1.760 (44.70) 1.740 (44.19)	1.375 (35.92) 1.355 (34.41)
28	1 3/4-18UNS	1.538 (39.06) 1.523 (38.68)	.915 (23.24)	1.040 (26.41)	.625 (15.87)	1.812 (46.02)	1.782 (45.26) 1.720 (43.68)	.693 (17.60) .683 (17.34)	1.625 (41.27) 1.605 (40.76)	2.010 (51.05) 1.990 (50.55)	1.625 (41.27) 1.605 (40.76)	1.625 (41.27) 1.605 (40.76)		
32	2-18 UNS	1.788 (45.41) 1.773 (45.03)					---	---	2.062 (52.37)	2.032 (51.61) 1.970 (50.03)	.818 (20.77) .808 (20.52)	1.875 (47.62) 1.855 (47.11)	2.260 (57.40) 2.240 (56.89)	1.875 (47.62) 1.855 (47.11)
36	2 1/4-16UN	2.000 (50.80) 1.985 (50.42)					---	---	2.500 (63.50)	2.282 (57.96) 2.220 (56.38)	.925 (23.49) .915 (23.24)	2.125 (53.97) 2.105 (53.46)	2.510 (63.75) 2.490 (63.24)	2.125 (53.97) 2.105 (53.46)
40	2 1/2-16UN	2.252 (57.22) 2.237 (56.82)					---	---	2.750 (69.85)	2.532 (64.31) 2.470 (62.73)	1.033 (26.23) 1.023 (25.98)	2.375 (60.32) 2.355 (59.81)	2.760 (70.10) 2.740 (69.59)	2.375 (60.32) 2.355 (59.81)
44	2 3/4-16UN	2.507 (63.67) 2.492 (63.29)	.915 (23.24)	1.040 (26.41)	.625 (15.87)	3.000 (76.20)	2.782 (70.66) 2.720 (69.08)	1.160 (29.46) 1.150 (29.21)	2.625 (66.67) 2.605 (66.16)	3.010 (76.45) 2.990 (75.95)	2.625 (66.67) 2.605 (66.16)			
48	3-16UN	2.757 (70.03) 2.42 (61.17)					---	---	3.250 (82.55)	3.032 (25.40) 2.970 (75.43)	1.285 (32.63) 1.275 (32.38)	2.876 (73.05) 2.855 (72.51)	3.260 (82.80) 3.240 (80.29)	2.876 (73.05) 2.855 (72.51)

MIL-C-5015 Series

# MIL-C-26482 SERIES I

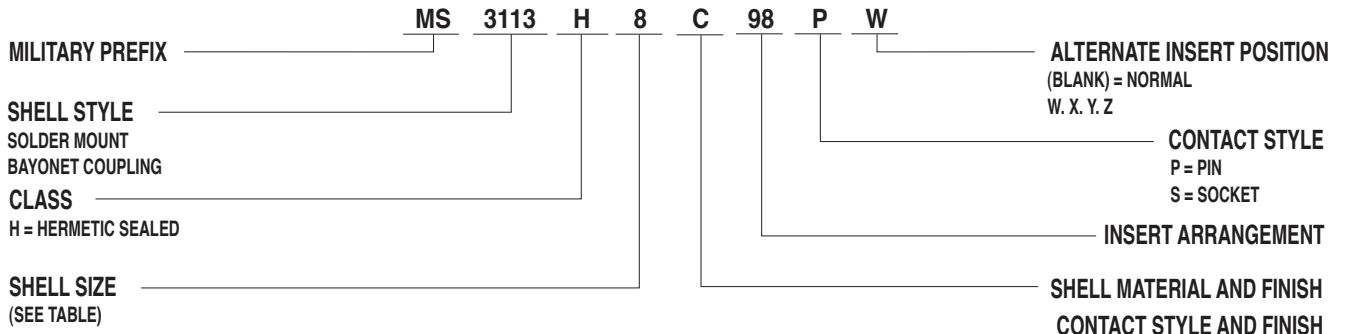


## ● MS 3113H Hermetic Bayonet Coupling, Solder Mount



	SHELL	CONTACT
A	STAINLESS STEEL (PASSIVATED)	SOLDER CUP (GOLD PLATED)
B	STAINLESS STEEL (PASSIVATED)	EYELET (GOLD PLATED)
C	FERROUS ALLOY (FUSED TIN PLATED)	SOLDER CUP (GOLD PLATED)
Y	FERROUS ALLOY (FUSED TIN PLATED)	EYELET (GOLD PLATED)

### EXPLANATION OF MS PART NUMBER



Shell Size	Inch(mm)														
	ø A	ø B	ø C	ø D	E	F MAX.	H MAX.	ø P	M	N □ MAX	R □	ø S	J	K	
8	.474 (12.04)	.367 (9.32)	.641 (16.28)	.563 (14.30)											
	.468 (11.89)	.361 (9.17)	.609 (15.47)	.557 (14.15)				.329 (8.36)		.828 (21.03)	.594 (15.09)				
10	.591 (15.01)	.495 (12.57)	.766 (19.46)	.673 (17.09)											
	.585 (15.86)	.485 (12.32)	.734 (18.64)	.667 (16.94)				.457 (11.61)		.954 (24.23)	.719 (18.26)				
12	.751 (19.07)	.612 (15.54)	.860 (21.84)	.782 (19.86)											
	.745 (18.92)	.606 (15.39)	.828 (21.03)	.776 (19.71)				.564 (14.32)	.462 (11.73)	1.047 (26.59)	.812 (20.62)				
14	.876 (22.25)	.737 (18.72)	.985 (25.02)	.907 (23.04)	442 (11.23)	.156 (3.96)	.828 (21.03)								
	.870 (22.10)	.731 (18.57)	.953 (24.21)	.901 (22.88)	411 (10.44)			.689 (17.50)	.431 (10.95)	1.141 (28.98)	.906 (23.01)	.125 (3.17)	.057 (1.45)	.078 (1.98)	
16	1.001 (25.42)	.862 (21.89)	1.110 (28.19)	1.032 (26.21)											
	.995 (25.27)	.856 (21.74)	1.078 (27.38)	1.026 (26.06)				.814 (20.67)		1.234 (31.34)	.969 (24.61)	.115 (2.92)			
18	1.126 (28.60)	.967 (24.56)	1.234 (31.34)	1.157 (29.39)											
	1.120 (28.45)	.961 (24.41)	1.202 (30.53)	1.151 (29.23)				.907 (23.04)		1.328 (33.73)	1.062 (26.97)				
20	1.251 (31.77)	1.092 (27.74)	1.328 (33.73)	1.251 (31.77)											
	1.245 (31.62)	1.086 (27.58)	1.296 (32.92)	1.245 (31.62)	.504 (12.80)		.891 (22.63)	1.039 (26.39)	.587 (14.91)	1.453 (36.91)	1.156 (29.36)				
22	1.376 (34.95)	1.217 (30.91)	1.454 (36.93)	1.376 (34.95)	473 (12.01)										
	1.370 (34.80)	1.211 (30.76)	1.422 (36.12)	1.370 (34.80)		.188 (4.77)		1.164 (29.57)	.556 (14.12)	1.578 (40.08)	1.250 (31.75)		.088 (3.86)	.110 (2.19)	
24	1.501 (38.12)	1.342 (34.09)	1.579 (40.11)	1.501 (38.12)											
	1.495 (37.97)	1.336 (33.93)	1.547 (39.29)	1.495 (37.97)	.537 (13.64)		.921 (23.39)	1.289 (32.74)	.620 (15.75)	1.703 (43.26)	1.375 (34.92)	.152 (3.86)	.068 (3.61)	.078 (1.98)	

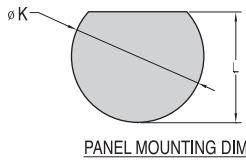
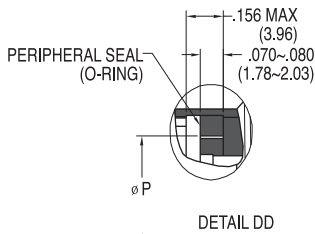
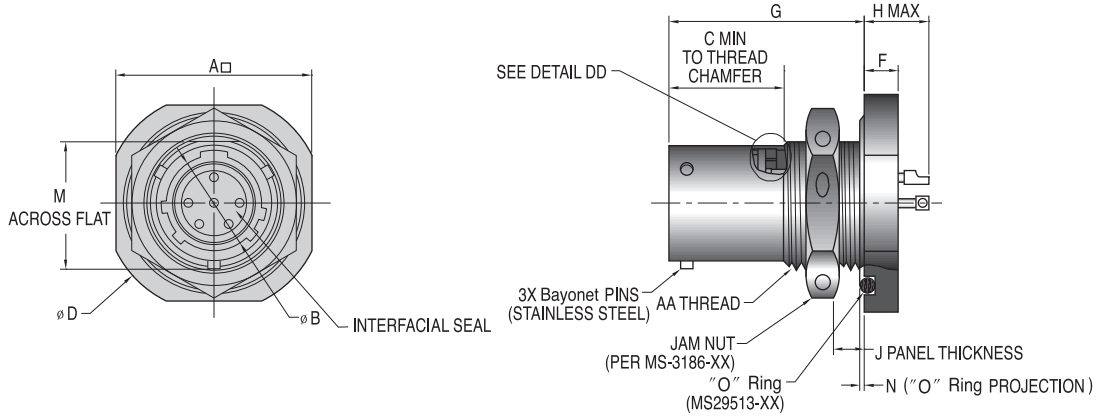
SUNGJIN CONNECTOR & CONNECTION TECHNOLOGIES

TEL : 82-31-318-0942 FAX : 82-31-318-0945 www.sjcnt.co.kr

# MIL-C-26482 SERIES I

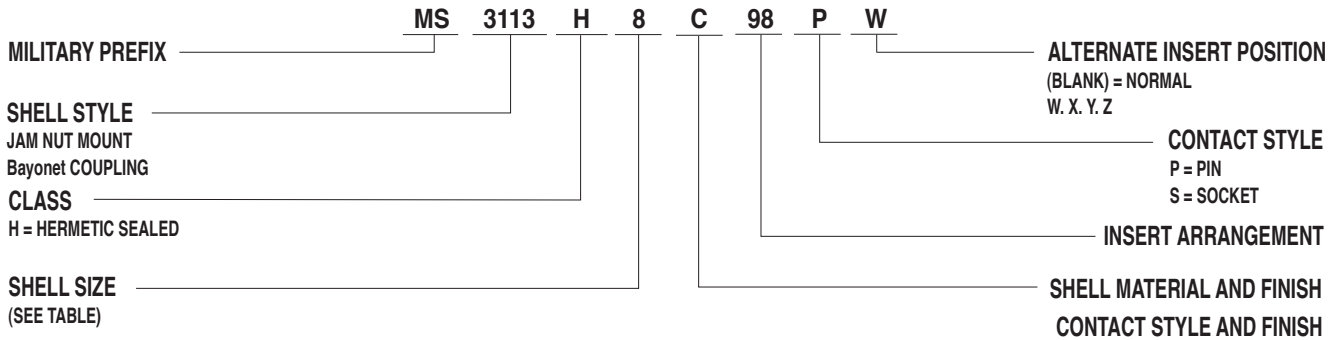


## ● MS3114H Hermetic Jam Nut Mounting



	SHELL	CONTACT
A	STAINLESS STEEL (PASSIVATED)	SOLDER CUP (GOLD PLATED)
B	STAINLESS STEEL (PASSIVATED)	EYELET (GOLD PLATED)
C	FERROUS ALLOY (FUSED TIN PLATED)	SOLDER CUP (GOLD PLATED)
Y	FERROUS ALLOY (FUSED TIN PLATED)	EYELET (GOLD PLATED)

### EXPLANATION OF MS PART NUMBER



Shell Size	AA UNEF-2A THREAD	A □ MAX.		ø B		C MIN WTG. THD LOC.		ø D OD		ø E		F	G	H MAX	J PANEL THICKNESS		ø K PANEL MTG HOLE		L PANEL FLAT		M ACCROSS FLAT		N O-RING PROJECTION		ø P ID OF GASKET		
8	.5625.24	.954	(12.23)	.367	(9.32)			1.078	(27.38)	.474	(12.04)						.582	(14.78)	.5550	(13.97)	.530	(13.46)					
				.361	(9.17)			1.046	(26.57)	.468	(11.89)						.567	(14.40)	.353	(9.00)	.520	(13.21)					
10	.6875.25	1.078	(23.38)	.495	(12.571)			1.203	(30.56)	.591	(15.01)						.707	(17.96)	.675	(17.14)	.655	(16.64)					
				.485	(12.32)			1.171	(29.74)	.585	(14.86)						.692	(17.58)	.660	(16.76)	.645	(16.38)					
12	.875.20	1.266	(32.16)	.612	(15.54)	.384	(9.75)	1.391	(35.33)	.751	(19.07)	.127	(3.22)				.895	(22.73)	.838.8	(21.28)	.818	(20.78)	.032		(81)	(30)	
				.606	(15.39)			1.359	(34.52)	.745	(18.92)						.880	(22.35)	.823	(20.90)	.808	(20.52)					
14	1.000.20	1.391	(35.33)	.737	(18.72)			1.516	(38.51)	.876	(22.25)	.087	(2.21)				1.020	(25.91)	.962	(24.43)	.942	(23.93)					
				.731	(18.57)			1.484	(37.69)	.870	(22.10)						1.005	(25.53)	.947	(24.05)	.932	(23.67)					
16	1.125.18	1.516	(38.51)	.862	(21.89)			1.641	(41.68)	1.001	(25.42)						1.145	(29.08)	1.086	(27.58)	1.066	(27.08)					
				.856	(21.74)			1.609	(40.87)	.995	(25.27)						1.130	(28.70)	1.071	(27.20)	1.056	(26.82)					
18	1.250.18	1.641	(41.68)	.967	(24.56)			1.766	(44.86)	1.126	(28.60)						1.270	(32.26)	1.211	(30.76)	1.191	(30.25)					
				.961	(24.41)			1.734	(44.04)	1.120	(28.45)						1.255	(31.88)	1.196	(30.38)	1.181	(30.00)					
20	1.375.18	1.828	(46.43)	1.092	(27.74)	.446	(11.33)	1.954	(49.63)	1.251	(31.77)						1.395	(35.43)	1.336	(33.93)	1.316	(33.42)					
				1.086	(27.58)			1.922	(48.82)	1.245	(31.62)						1.380	(35.05)	1.321	(33.55)	1.306	(33.00)					
22	1.500.18	1.954	(49.63)	1.217	(30.91)			2.078	(52.78)	1.376	(34.95)	.168	(4.22)				1.520	(38.61)	1.461	(37.11)	1.441	(36.60)	.039		(99)	(43)	
				1.211	(30.76)			2.046	(51.97)	1.370	(34.95)						.910	(23.11)	.879	(22.33)	1.505	(38.23)					
24	1.625.18	2.078	(52.78)	1.342	(34.09)			2.203	(55.96)	1.501	(38.12)						1.645	(41.78)	1.586	(40.28)	1.566	(39.78)					
				1.336	(33.93)			2.171	(55.14)	1.495	(37.97)						.943	(23.95)	.912	(23.16)	1.630	(41.40)					