

AUDIO CONNECTORS

Filtered Connectors



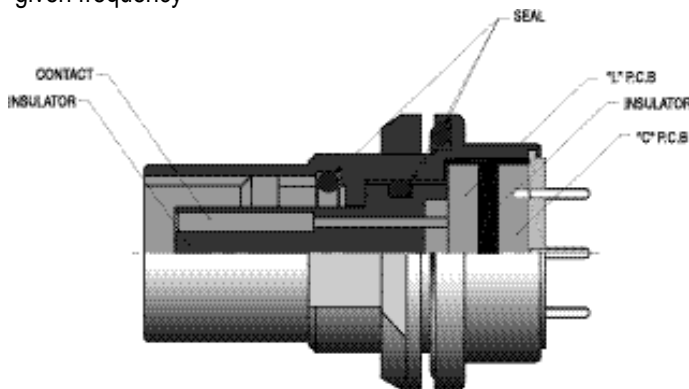
FEATURES

Effective Mating with One-touch system-Push, Full system.
 Stability from outside vibration, impact, Self Latch System prevents disengaging.
 Smaller size of applicable equipment & working space- smaller size, high density contacts.
 Stability of assembling & prevents cross mating-multi, key alignment.
 Suitable for EMI/EMC-High Screen Efficiency of Shell.
 Connectors for special use such as dustproof, waterproof, vacuum, high voltage.
 Adds reliability and improves performance to system design.

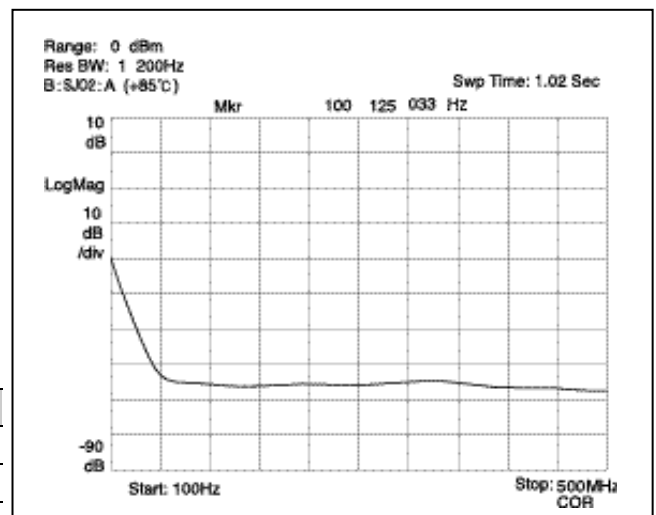


FILTERED CONNECTOR

On request some models are available with filter for use wherever electromagnetic interference (EMI) suppression is required. Using a combination of planar-array and ferrite-bead technology these connectors can incorporate C, L-C, T or pi filter configuration according to specific needs regarding the frequency of the signal, the circuit impedance or the expected insertion loss at a given frequency



TYPE	C	L	VOLTAGE	CURRENT
A	15,000pF	1.2 μ F	24VDC	2.0A
B	20,000pF	1.8 μ F	24VDC	2.0A



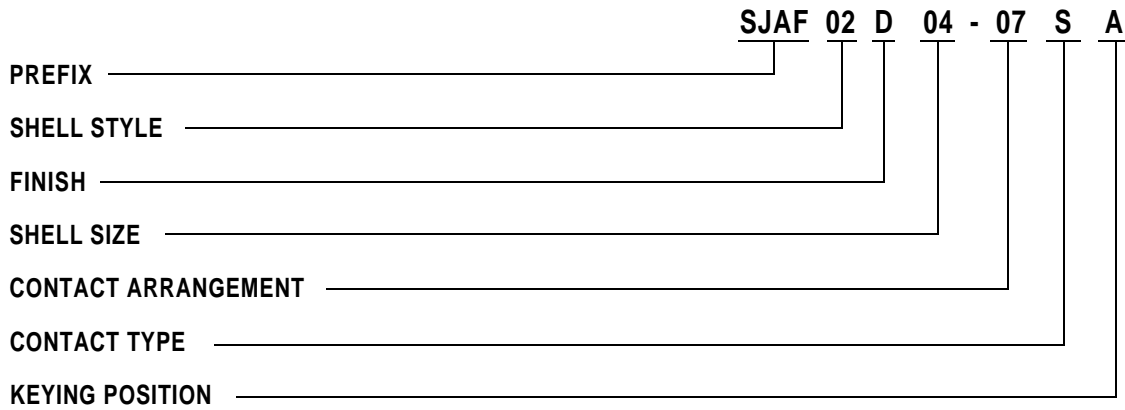
AUDIO CONNECTORS

AUDIO CONNECTORS

Filtered Connectors



ORDERING INFORMATION



SHELL STYLE

- 02 : EMI, RFI FILTERED RECEPTACLE
- 06 : PLUG, PUSH-PULL SELF-LATCHING

FINISH

- D : NICKEL PLATE(BLACK)
- E : TIN PLATE
- N : STAINLESS, NICKEL PLATE

SHELL SIZE

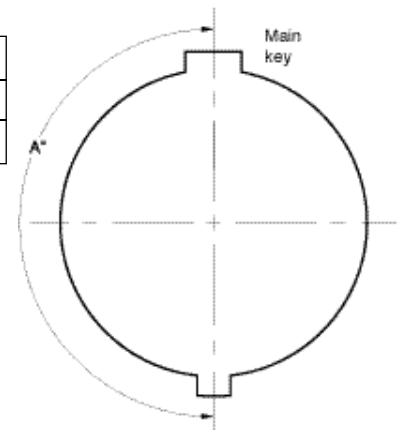
- 02, 04, 06

CONTACT TYPE

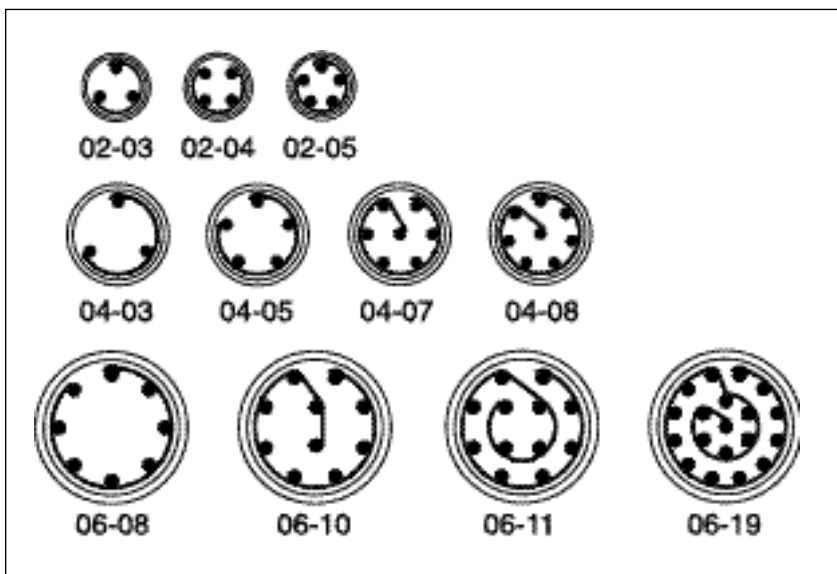
- P - PIN
- S - SOCKET

KEYING POSITIONS N, A

DEGREES	A ₀
N	135 ^o
A	180 ^o



CONTACT, ARRANGEMENT



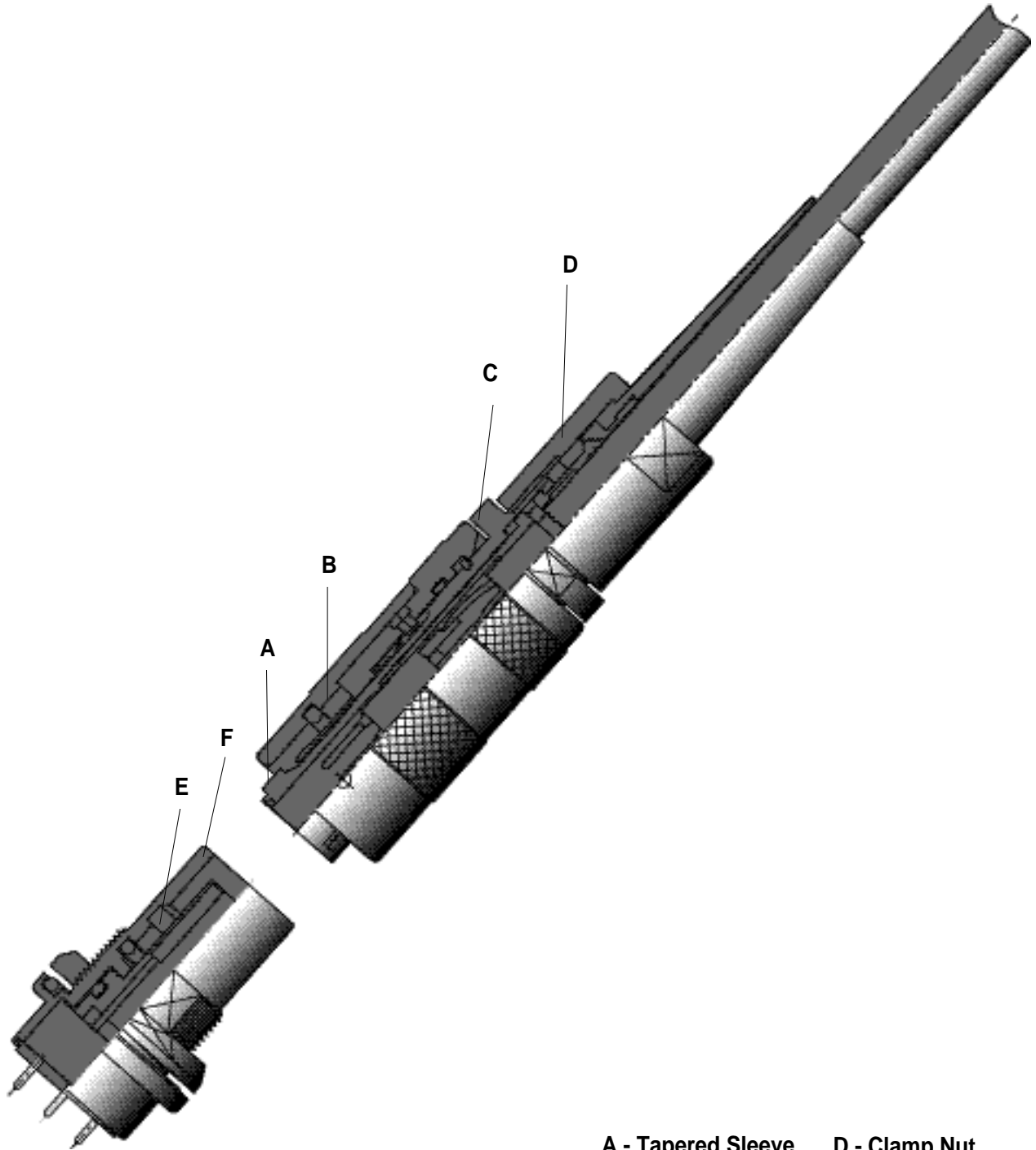
AUDIO CONNECTORS

AUDIO CONNECTORS

Filtered Connectors



SECTIONED VIEW CONNECTORS



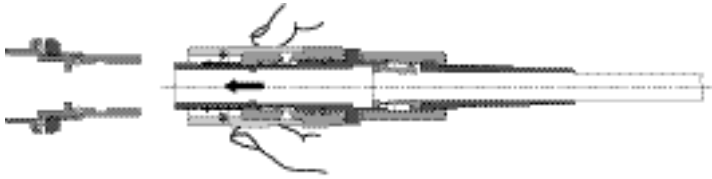
- | | |
|---------------------|----------------------|
| A - Tapered Sleeve | D - Clamp Nut |
| B - Latching Sleeve | E - Latching Groove |
| C - Plug Body | F - Receptacle Shell |

AUDIO CONNECTORS

Filtered Connectors



AUTOMATIC LATCHING-OPERATION

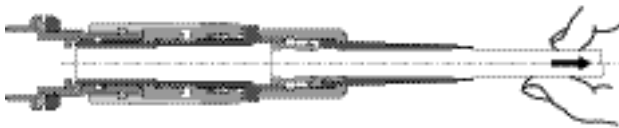


The drawing shows the longitudinal section of a receptacle and a plug in the unmated position.

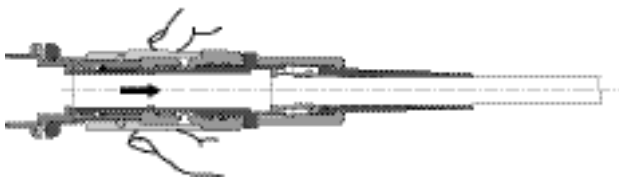
The latching sleeve of the plug has a fixed amount of lengthwise play along the body. The flexible fingers which extend from this sleeve possess bevelled protrusions.



When the connectors are mated, these protrusions are firmly captivated by the receptacle's internal latching groove.



If the attached cable or clamp nut is pulled, the tapered sleeve is forced under the sliding sleeve, holding the fingers even more tightly into the receptacle's latching groove. The more the cable or connector body is pulled, the more the locking pressure increases.



Pulling lengthwise on the plug's latching sleeve unmates the connectors by allowing the fingers to deflect free of the latching groove.