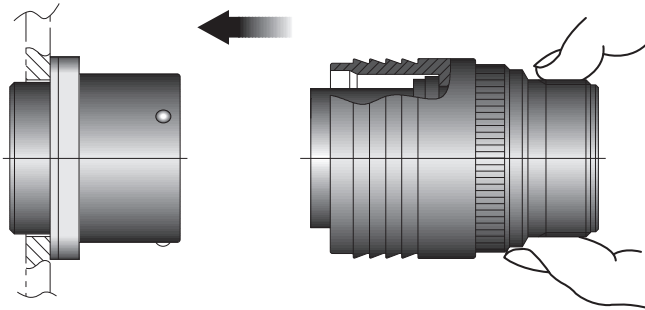


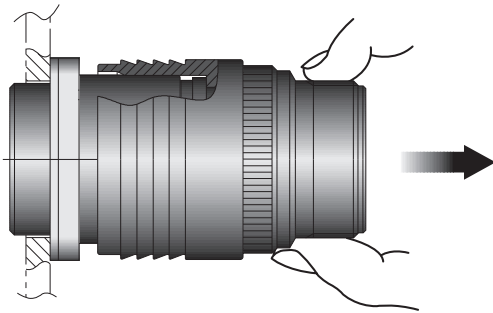
PUSH-PULL Connectors



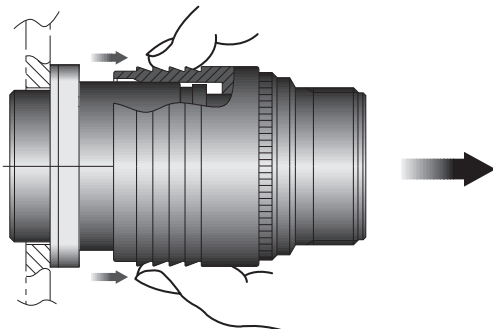
● PUSH-PULL Latching Operation



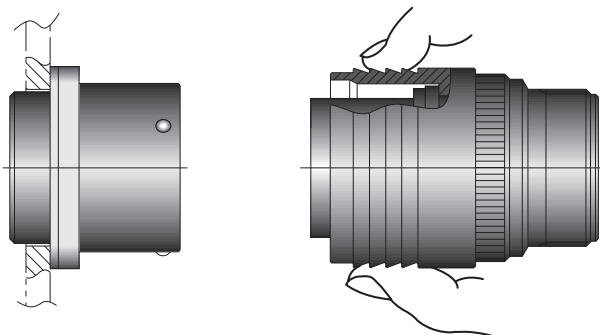
1) The drawing shows the unmated position.



2) If tickle body of plug connector and push for axis, mate is completed. After connector is mated, even if cable or connector body is pulled, connector does not untie.



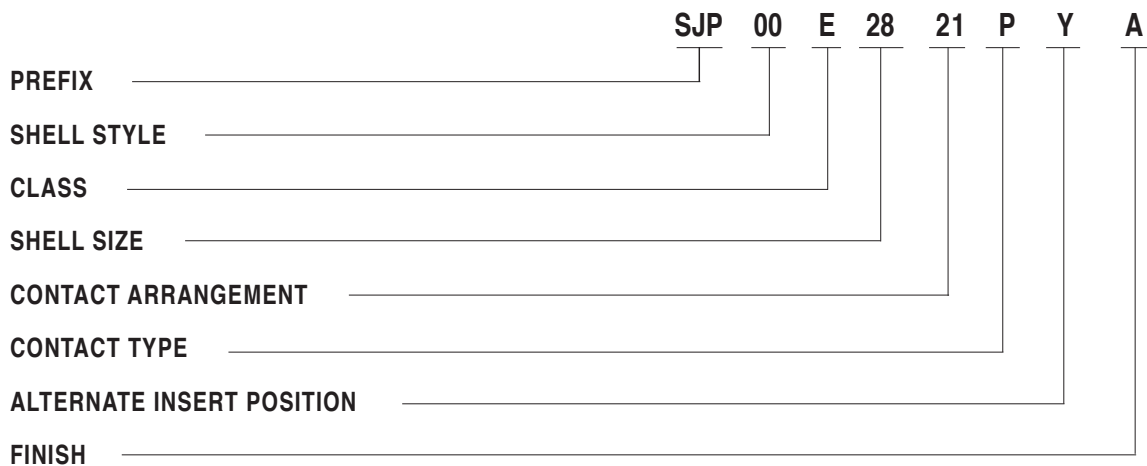
3) If tickle coupler of plug connector and pull for axis, mated connector is detached.



PUSH-PULL Connectors



● Ordering Information



SHELL STYLE

- 00 - Wall Mounting Receptacle
- 01 - Cable Connecting Plug
- 02 - Box mounting Receptacle
- 06 - Straight Plug
- 08 - 90° Angle Plug

SHELL SIZE

10SL, 12S, 14S, 14, 16S, 16, 18, 20, 22, 24, 28, 32, 36, 40

CONTACT ARRANGEMENT

See page 17~21

CLASS

- A - With threaded adapter
- E - Environmental with resilient insulators and integral cable clamp
- R - Environmental with resilient insulators and shortened light weight endbell ; also additional sealing with O ring seal under coupling nut in styles 06 and 08.

CONTACT TYPE

- P - Pin contact
- S - Socket contact

ALTERNATE INSERT POSITION

Insert insulator position - see page 16

FINISH

- A - Black Anodize
- N - Electroless Nickel
- W - Cadmium, Olive drab
- Z - Green Chromate Coating over zinc plating

SUNGJIN CONNECTOR & CONNECTION TECHNOLOGIES

TEL : 82-31-318-0942 FAX : 82-31-318-0945 www.sjcnt.co.kr

PUSH-PULL Connectors



● Technical data

Materials & Finishes

	Materials	Finishes
SHELL	Aluminum alloy	Olive drab chromate coating over cadmium or electroless nickel
INSULATOR	Polychloropren	-
CONTACT	Copper alloy	Silver plate

Characteristics

Insulation Resistance	5,000M Ω Minimum (at 25°C)
Temperature Range	-55°C to 125°C
Durability	500 Cycle Connection / Disconnection
Water proof	IP67

Dielectric Withstanding Voltage			
Service Rating	Test Voltage AC(rms)	Operating Voltage	
		AC	DC
Inst.	1,000	200	250
A	2,000	500	700
D	2,800	900	1,250
E	3,500	1,250	1,750
B	4,500	1,750	2,450
C	7,000	3,000	4,200

Contact Engaging & Separating Force			
Contact Size	force in Lbs.		
	Maximum	Average	Minimum
#16	3.00	2.10	0.25
#12	5.00	3.50	0.50
#8	10.00	7.00	0.75
#4	15.00	10.50	1.00
#0	20.00	14.00	2.00

Contact Size			Current(A) Rating (Mated With Insulators)	Contact Resistance		Wire Range Accommodations		
Size	Pin Contact Dia.	Solder Pot Dia.		Test Current (A)	Potential Drop Max(mV)	AWG *	Wire Nomal Square Size(mm ²)	Dielectric Material Outer Dia.
#16	∅ 1.6	∅ 2.0	13A	20A	21	#22~#16	≤ 1.3	∅ 1.7~3.3
#12	∅ 2.4	∅ 3.0	23A	35A	20	#14~#12	≤ 3.5	∅ 2.9~4.3
#8	∅ 3.6	∅ 5.2	46A	60A	12	#10~#8	≤ 8.0	∅ 4.2~6.4
#4	∅ 5.7	∅ 8.5	80A	110A	10	#6~#4	≤ 22.0	∅ 7.0~9.4
#0	∅ 9.1	∅ 12.0	150A	200A	10	#2~#0	≤ 50.0	∅ 10.6~14.0

* A.W.G : American Wire Gauge

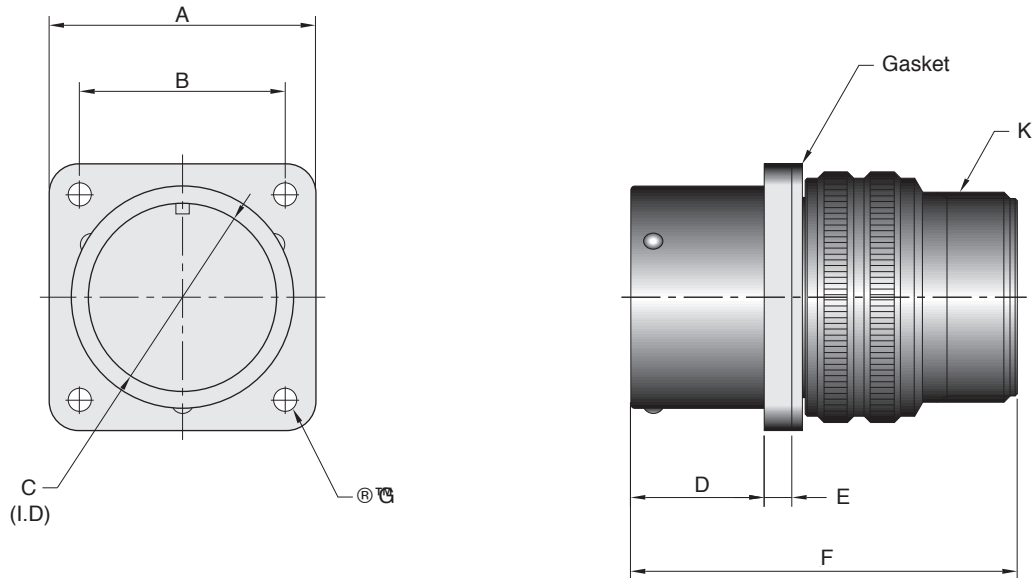
SUNGJIN CONNECTOR & CONNECTION TECHNOLOGIES

TEL : 82-31-318-0942 FAX : 82-31-318-0945 www.sjcnt.co.kr

PUSH-PULL Connectors



● Wall Mounting Receptacle SJP00A



Shell Size	□ A ±0.79	□ B ±0.12	∅ C +0.38 -0.00	D +0.38 -0.00	E ±0.20	F MAX.	∅ G +0.25 -0.12	K Thread-2A
8S	23.00	15.10	9.40	14.28	3.00	37.31	3.05	1/2-28 UNEF
10S	25.40	18.26	11.38	14.28	3.00	38.88	3.05	1/2-28 UNEF
10SL	25.40	18.26	11.38	14.28	3.00	38.88	3.05	5/8-24 UNEF
12S	27.97	20.62	14.15	14.28	3.00	42.87	3.05	5/8-24 UNEF
12	27.97	20.62	14.15	19.05	3.00	52.37	3.05	5/8-24 UNEF
14S	30.18	23.01	17.33	14.28	3.00	42.87	3.05	3/4-20 UNEF
14	30.18	23.01	17.33	19.05	3.00	52.37	3.05	3/4-20 UNEF
16S	32.54	24.61	20.50	14.28	3.00	42.87	3.05	7/8-20 UNEF
16	32.54	24.61	20.50	19.05	3.00	52.37	3.05	7/8-20 UNEF
18	34.93	26.97	23.68	19.05	3.00	52.37	3.05	1-20 UNEF
20	38.10	29.36	26.88	19.05	3.00	55.57	3.05	1 3/16-18 UNEF
22	41.28	31.75	30.03	19.05	3.00	55.57	3.05	1 3/16-18 UNEF
24	44.45	34.93	33.20	20.63	3.00	55.57	3.73	1 7/16-18 UNEF
28	50.80	39.67	38.77	20.63	3.00	55.57	3.73	1 7/16-18 UNEF
32	57.15	44.45	45.12	22.23	3.00	61.92	4.39	1 3/4-18 UNS
36	63.50	49.23	50.68	22.23	3.00	61.92	4.39	2-18 UNS
40	69.85	55.58	57.03	22.23	3.00	61.92	4.39	2 1/2-16 UN

1. ALL DIMENSIONS ARE MILLIMETERS.

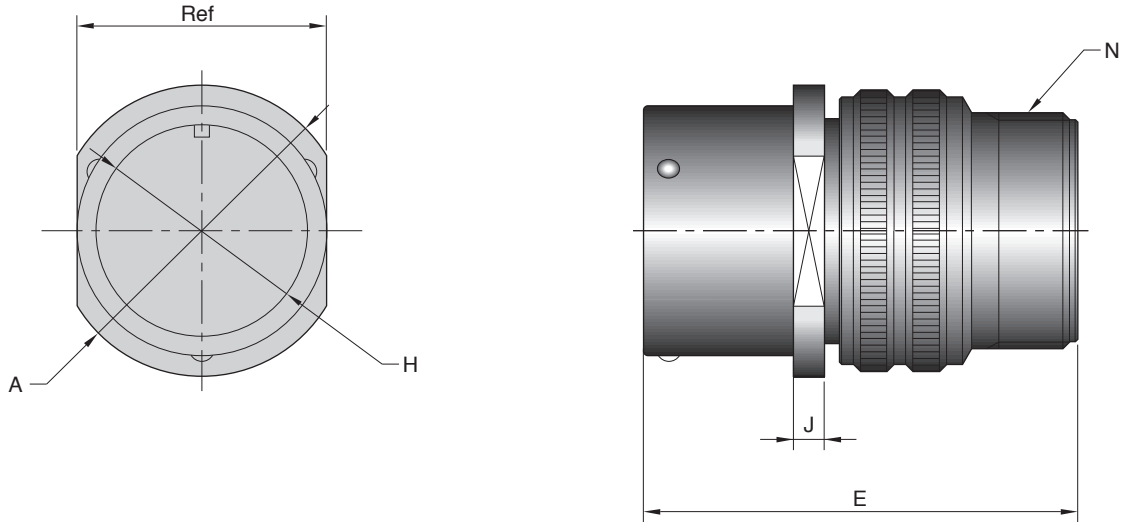
SUNGJIN CONNECTOR & CONNECTION TECHNOLOGIES

TEL : 82-31-318-0942 FAX : 82-31-318-0945 www.sjcnc.co.kr

PUSH-PULL Connectors



● Cable Connecting Plug SJP01A



Shell Size	∅ A MAX.	E MAX.	∅ H +0.38 -0.00	J MAX.	N Thread-2A
8S	21.43	37.31	9.40	1.57	1/2-28 UNEF
10S	24.61	38.88	11.38	1.57	1/2-28 UNEF
10SL	24.61	38.88	11.38	1.57	5/8-24 UNEF
12S	26.97	42.87	14.15	1.57	5/8-24 UNEF
12	26.97	52.37	14.15	1.98	5/8-24 UNEF
14S	29.36	42.87	17.38	1.83	3/4-20 UNEF
14	29.36	52.37	17.38	1.98	3/4-20 UNEF
16S	31.75	42.87	20.50	1.83	7/8-20 UNEF
16	31.75	38.88	20.50	1.98	7/8-20 UNEF
18	34.13	38.88	23.68	2.50	1-20 UNEF
20	37.31	55.57	26.88	2.50	1 3/16-18 UNEF
22	40.48	55.57	30.03	3.00	1 3/16-18 UNEF
24	43.66	58.72	33.20	3.00	1 7/16-18 UNEF
28	50.01	58.72	38.77	3.00	1 7/16-18 UNEF
32	56.36	61.92	45.12	3.00	1 3/4 UNS
36	62.71	61.92	50.68	3.00	2-18 UNS
40	69.06	61.92	57.03	3.00	2 1/2-16 UN

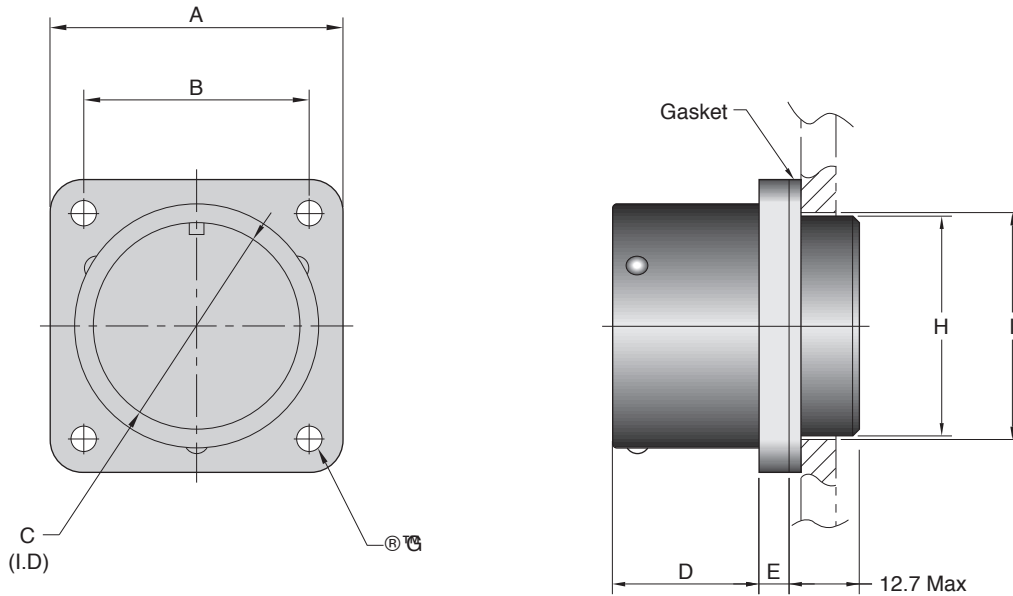
1. ALL DIMENSIONS ARE MILLIMETERS.

SUNGJIN CONNECTOR & CONNECTION TECHNOLOGIES

TEL : 82-31-318-0942 FAX : 82-31-318-0945 www.sjcnc.co.kr

PUSH-PULL Connectors

● Box Mounting Receptacle SJP02A/E/R



Shell size	□ A ±0.79	□ B ±0.13	∅ C +0.38 -0.00	D +0.79 -0.00	E ±0.20	∅ G +0.25 -0.12	∅ H +0.00 -4.77	∅ I +0.38 -0.00 MTG. Hole
8S	22.22	15.09	9.4	14.28	3.00	3.05	13.5	14.27
10S	25.40	18.26	11.38	14.28	3.00	3.05	16.66	17.47
10SL	25.40	18.26	11.38	14.28	3.00	3.05	19.35	20.62
12S	27.79	20.62	14.15	14.28	3.00	3.05	19.35	20.62
12	27.79	20.62	14.15	19.05	3.00	3.05	19.35	20.62
14S	30.18	23.01	17.33	14.28	3.00	3.05	23.01	23.83
14	30.18	23.01	17.33	19.05	3.00	3.05	23.01	23.83
16S	32.54	24.61	20.50	14.28	3.00	3.05	26.21	26.97
16	32.54	24.61	20.50	19.05	3.00	3.05	26.21	26.97
18	34.93	26.97	23.68	19.05	4.00	3.05	29.36	30.18
20	38.10	29.36	26.88	19.05	4.00	3.05	32.56	33.32
22	41.28	31.75	30.03	19.05	4.00	3.05	35.71	36.53
24	44.45	34.93	33.20	20.63	4.00	3.75	38.91	39.67
28	50.80	39.67	38.77	20.63	4.00	3.75	45.26	46.02
32	57.15	44.45	45.12	22.23	4.00	4.39	51.61	52.37
36	63.50	49.23	50.68	22.23	4.00	4.39	57.96	58.72
40	69.85	55.58	57.03	22.23	4.00	4.39	64.31	65.07

1. ALL DIMENSIONS ARE MILLIMETERS.

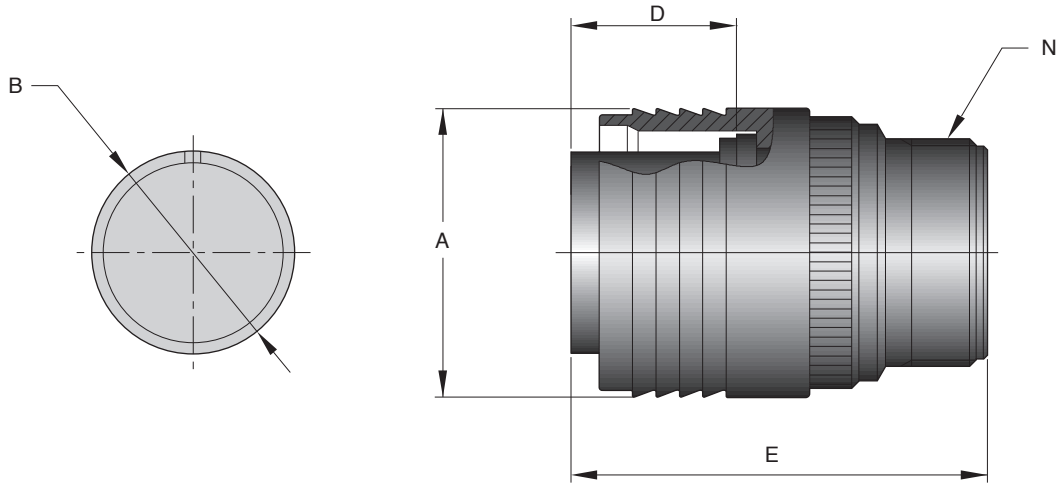
SUNGJIN CONNECTOR & CONNECTION TECHNOLOGIES

TEL : 82-31-318-0942 FAX : 82-31-318-0945 www.sjcnc.co.kr

PUSH-PULL Connectors



● Straight Plug SJP06A



Shell size	∅ A MAX.	∅ B +0.00 -0.38 (0°§D)	∅ C MIN. (1°§D)	D ± 0.12	E MAX.	N Thread-2A
8S	21.43	9.27	6.41	13.49	37.3	1/2-28 UNEF
10S	24.61	11.33	8.21	13.49	38.88	1/2-28 UNEF
10SL	24.61	11.33	8.21	13.49	38.88	5/8-24 UNEF
12S	26.97	14.10	11.43	13.49	42.87	5/8-24 UNEF
12	26.97	14.10	11.43	18.26	52.37	5/8-24 UNEF
14S	29.36	17.15	13.37	13.49	42.87	3/4-20 UNEF
14	29.36	17.15	13.37	18.26	52.37	3/4-20 UNEF
16S	31.75	20.45	16.54	13.49	42.87	7/8-20 UNEF
16	31.75	20.45	16.54	18.26	52.37	7/8-20 UNEF
18	34.13	23.62	19.72	18.26	52.37	1-20 UNEF
20	37.31	26.67	23.68	18.26	55.57	1 3/16-18 UNEF
22	40.48	29.85	26.07	18.26	55.57	1 3/16-18 UNEF
24	43.66	33.02	29.24	18.26	58.72	1 7/16-18 UNEF
28	50.01	38.61	34.80	18.26	58.72	1 7/16-18 UNEF
32	56.36	44.96	41.15	18.26	61.92	1 3/4-18 UNS
36	62.71	50.29	46.69	18.26	61.92	2-18 UNS
40	69.06	56.64	52.25	18.26	61.92	2 1/4-16 UN

1. ALL DIMENSIONS ARE MILLIMETERS.

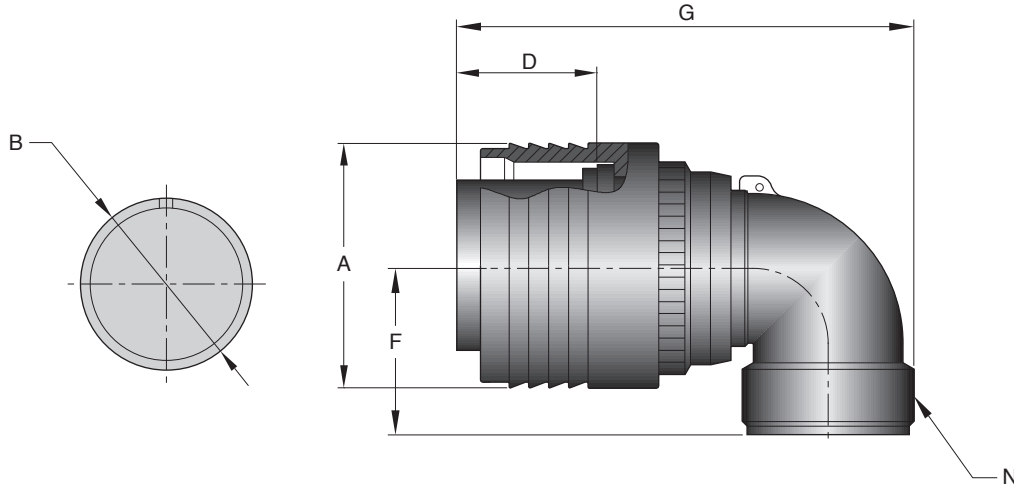
SUNGJIN CONNECTOR & CONNECTION TECHNOLOGIES

TEL : 82-31-318-0942 FAX : 82-31-318-0945 www.sjcnc.co.kr

PUSH-PULL Connectors



● 90° Angle Plug SJP08A



Shell Size	$\varnothing A$ MAX.	$\varnothing B$ $\begin{matrix} +0.00 \\ -0.38 \\ (O \cdot D) \end{matrix}$	$\varnothing C$ MIN. (I · D)	D ± 0.12	F MAX.	G MAX.	N Thread-2A
8S	21.43	9.27	6.41	13.49	23.77	44.45	1/2-28 UNEF
10S	24.61	11.33	8.21	13.49	25.40	44.45	1/2-28 UNEF
10SL	24.61	11.33	8.21	13.49	25.40	46.02	5/8-24 UNEF
12S	26.97	14.10	11.43	13.49	26.97	50.80	5/8-24 UNEF
12	26.97	14.10	11.43	18.26	26.97	57.15	5/8-24 UNEF
14S	29.36	17.15	13.37	13.49	28.57	53.97	3/4-20 UNEF
14	29.36	17.15	13.37	18.26	28.57	58.72	3/4-20 UNEF
16S	31.75	20.45	16.54	13.49	30.17	60.32	7/8-20 UNEF
16	31.75	20.45	16.54	18.26	30.17	65.07	7/8-20 UNEF
18	34.13	23.62	19.72	18.26	33.32	68.27	1-20 UNEF
20	37.31	26.67	23.68	18.26	34.92	76.98	1 3/16-18 UNEF
22	40.48	29.85	26.07	18.26	34.92	76.98	1 3/16-18 UNEF
24	43.66	33.02	29.24	18.26	39.67	86.51	1 7/16-18 UNEF
28	50.01	38.61	34.80	18.26	39.67	86.51	1 7/16-18 UNEF
32	56.36	44.96	41.15	18.26	47.62	95.25	1 3/4 UNS
36	62.71	50.29	46.69	18.26	52.37	100.02	2-18 UNS
40	69.06	56.64	52.25	18.26	53.97	100.02	2 1/4-16 UN

1. ALL DIMENSIONS ARE MILLIMETERS.

SUNGJIN CONNECTOR & CONNECTION TECHNOLOGIES

TEL : 82-31-318-0942 FAX : 82-31-318-0945 www.sjcnc.co.kr