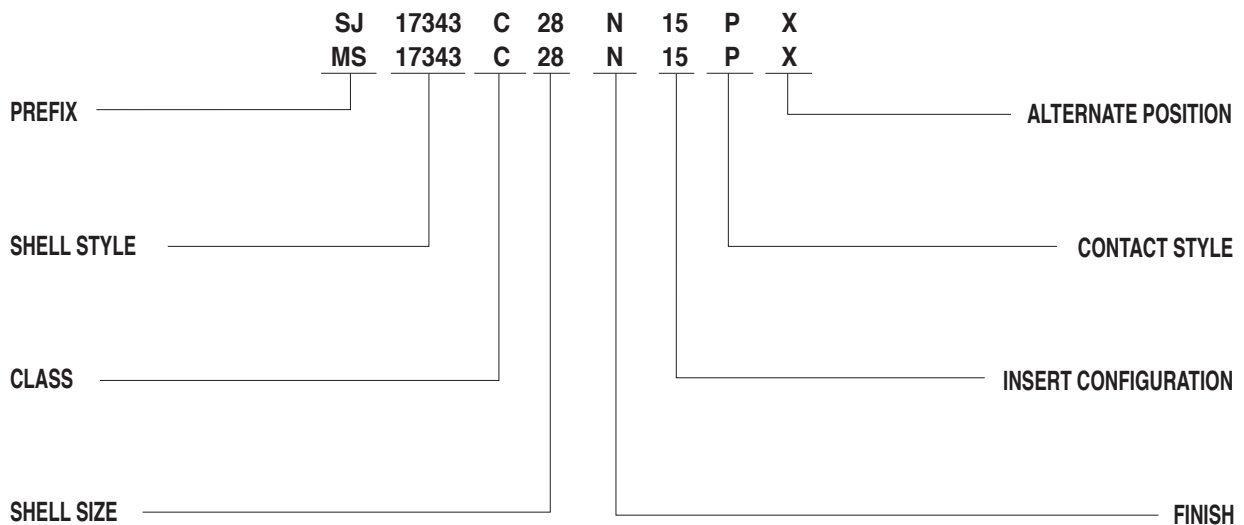


MIL-C-22992, Classes C, J & R



● Ordering Informations

MIL-C- 22992 Class C, J & R Standard MS Connectors



● SHELL STYLE

- MS17343 Wall Mount Receptacle.
- MS17344 Plug.
- MS17345 In - line receptacle.
- MS17346 Box mount receptacle.
- MS17347 Jam Nut Receptacle. Wall mount
- MS17348 Jam Nut Receptacle. Box mount

● CLASS

- C. Pressurized.
- J. Pressurized with grommet.
- R. Environmental resistant.

● SHELL SIZE

- 12 Thru 40.

● FINISH

- C. Conductive olive drab cadmium plate over nickel.
- N. Non conductive hard black anodize.

● INSERT CONFIGURATION

- MIL-C-5015 insert configurations

● CONTACT STYLE

- P-Pin contacts.
- S-Socket contacts.

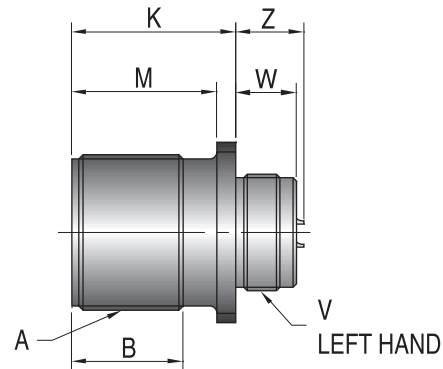
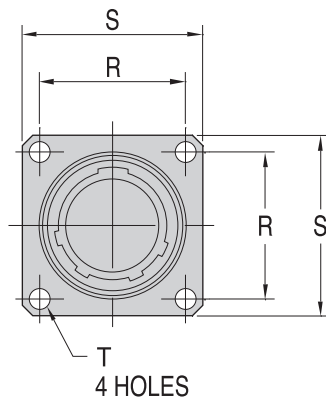
● ALTERNATE POSITION

- BLANK (normal) W, X, Y or Z.
- Same as MIL-C-5015.

MIL-C-22992, Classes C, J & R



● MS17343(SJ17343) wall mount receptacle



Shell Size	A thread Class 2A(Plated) 0.1P-0.2L Double stub	B Min Full Thd	K +.010 -.020	M +.010 -.000	R (TP)	S +.021 -.020	T Dia +.004 -.003	V thread Class 2A-LH (Plated)	W ±.010	Z Max
12	.8750	.672	.973	.797	.906	1.188	.150	.750-20UNEF	.640	.700
14	1.0000	.672	.973	.797	.969	1.281	.150	.875-20UNEF	.640	.700
16	1.1250	.672	.973	.797	1.062	1.375	.150	1.000-20UNEF	.640	.700
18	1.2500	.672	.953	.797	1.156	1.500	.177	1.125-18UNEF	.625	.686
20	1.3750	.672	.953	.797	1.250	1.625	.177	1.250-18UNEF	.625	.686
22	1.5000	.672	.953	.797	1.375	1.750	.177	1.375-18UNEF	.625	.686
24	1.7500	.672	1.047	.859	1.562	2.000	.177	1.625-18UNEF	.594	.585
28	2.0000	.672	1.047	.859	1.750	2.250	.177	1.875-16UN	.594	.591
32	2.2500	.672	1.109	.922	1.938	2.500	.209	2.0625-16UNS	.530	.528
36	2.5000	.672	1.109	.922	2.188	2.750	.209	2.3125-16UNS	.530	.528
40	2.7500	.672	1.109	.922	2.375	3.000	.209	2.625-16UN	.703	.528
44	3.0000	.672	1.109	.922	2.625	3.250	.209	2.875-16UN	.703	.770
48	3.2500	.672	1.109	.922	2.875	3.500	.209	3.125-16UN	.703	.770

All dimensions for reference only.

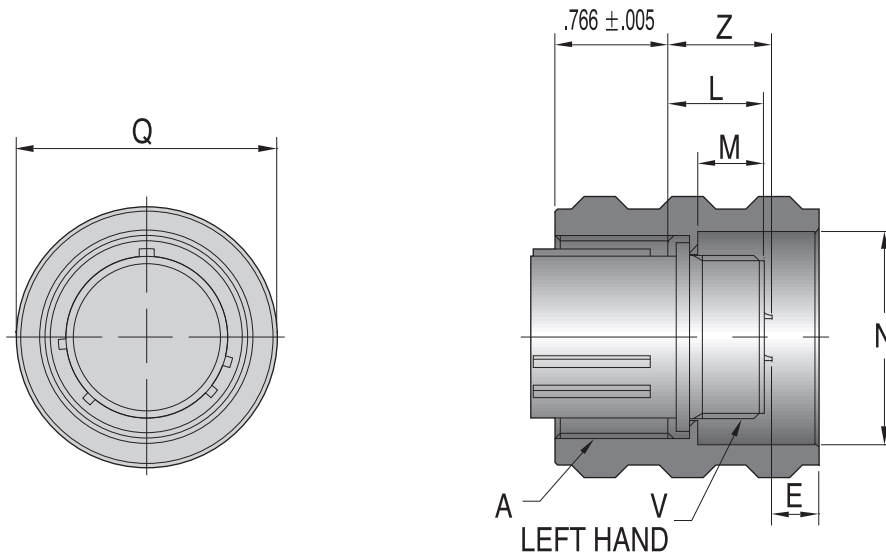
SUNGJIN CONNECTOR & CONNECTION TECHNOLOGIES

TEL : 82-31-318-0942 FAX : 82-31-318-0945 www.sjcnc.co.kr

MIL-C-22992, Classes C, J & R



● MS17344(SJ17344) straight plug



Shell Size	A thread Class 2B 0.1P-0.2L Double stub	M	N +.010 -.001	E	L +.011 -.010	Q Dia Max	V thread Class 2A-LH (Plated)	Z Max
12	.8750	.519 ±.020	.985	.030 ±.030	.738	1.156	.750-20UNEF	.870
14	1.0000	.519 ±.020	1.109	.013 ±.030	.738	1.281	.875-20UNEF	.870
16	1.1250	.519 ±.020	1.235	.091 ±.030	.738	1.469	1.000-20UNEF	.870
18	1.2500	.519 ±.020	1.359	.216 ±.030	.738	1.563	1.125-18UNEF	.870
20	1.3750	.519 ±.020	1.485	.216 ±.030	.738	1.688	1.250-18UNEF	.870
22	1.5000	.519 ±.020	1.609	.216 ±.030	.738	1.844	1.375-18UNEF	.870
24	1.7500	.519 ±.020	1.859	.184 ±.030	.800	2.094	1.625-18UNEF	.870
28	2.0000	.519 ±.020	2.109	.184 ±.030	.800	2.344	1.875-16UN	.870
32	2.2500	.529 ±.026	2.359	.190 ±.033	.875	2.594	2.0625-16UNS	.870
36	2.5000	.525 ±.026	2.609	.234 ±.033	.875	2.844	2.3125-16UNS	.870
40	2.7500	.710 ±.023	2.922	.049 ±.030	1.041	3.516	2.625-16UN	.870
44	3.0000	.710 ±.023	3.172	.049 ±.030	1.041	3.406	2.875-16UN	.957

All dimensions for reference only.

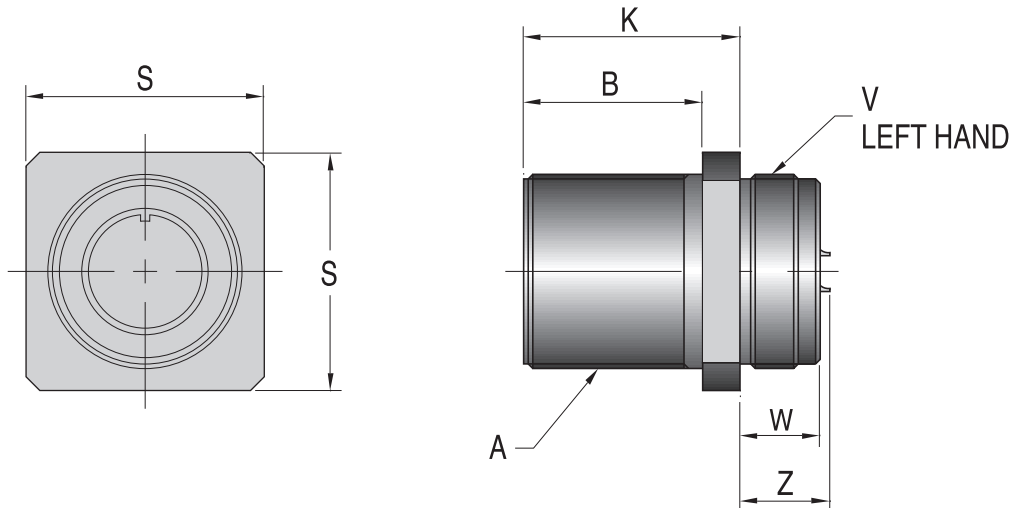
SUNGJIN CONNECTOR & CONNECTION TECHNOLOGIES

TEL : 82-31-318-0942 FAX : 82-31-318-0945 www.sjcnt.co.kr

MIL-C-22992, Classes C, J & R



● MS17345(SJ17345) In - line Receptacle



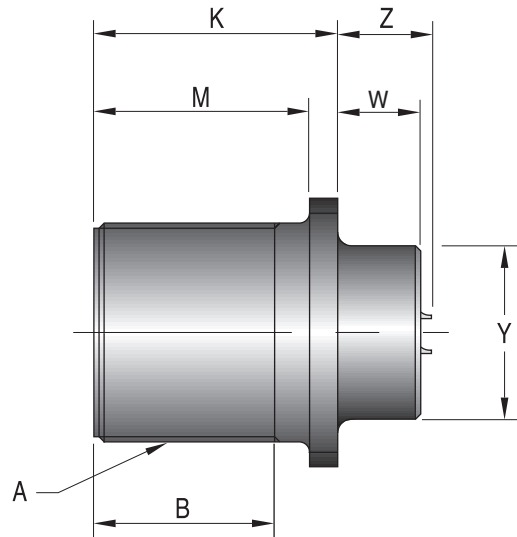
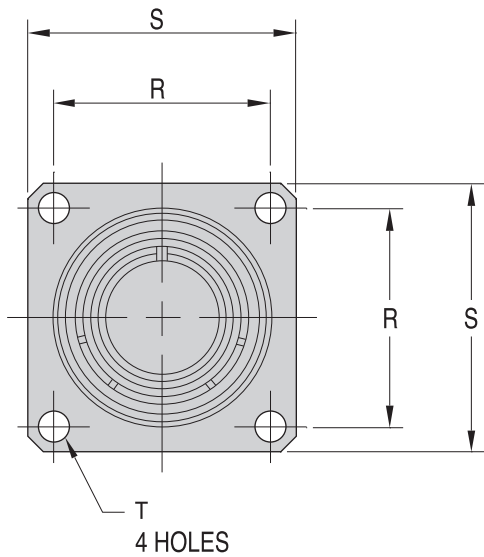
Shell Size	A thread Class 2B 0.1P-0.2L Double stub	B +.016 -.000	K +.021 -.020	S +.021 -.020	V thread Class 2A-LH (Plated)	W +.010	Z Max
12	.8750	.688	.938	1.000	.750-20UNEF	.641	.696
14	1.0000	.688	.938	1.094	.875-20UNEF	.641	.696
16	1.1250	.688	.938	1.281	1.000-20UNEF	.641	.696
18	1.2500	.703	.957	1.375	1.125-18UNEF	.625	.680
20	1.3750	.703	.957	1.500	1.250-18UNEF	.625	.680
22	1.5000	.703	.957	1.625	1.375-18UNEF	.625	.680
24	1.7500	.766	1.016	1.875	1.625-18UNEF	.625	.617
28	2.0000	.766	1.016	2.125	1.875-16UN	.625	.617
32	2.2500	.703	1.078	2.375	2.0625-16UN	.563	.555
36	2.5000	.703	1.078	2.625	2.3125-16UN	.563	.555
40	2.7500	.703	1.078	3.000	2.625-16UN	.703	.555
44	3.0000	.703	1.078	3.250	2.875-16UN	.703	.805

All dimensions for reference only.

MIL-C-22992, Classes C, J & R



● MS17346(SJ17346) Box Mount Receptacle



Shell Size	A thread Class 2B 0.1P-0.2L Double stub	B Min Full Thd	K +.010 -.000	M +.021 -.010	R (TP)	S +.021 -.020	T Dia +.004 -.003	W +.020 -.030	Y +.011 -.010	Z Max
12	.8750	.672	.938	.797	.906	1.188	.150	.640	.640	.700
14	1.0000	.672	.938	.797	.969	1.281	.150	.640	.765	.700
16	1.1250	.672	.938	.797	1.062	1.375	.150	.640	.890	.700
18	1.2500	.672	.953	.797	1.156	1.500	.177	.625	1.015	.686
20	1.3750	.672	.953	.797	1.250	1.625	.177	.625	1.171	.686
22	1.5000	.672	.953	.797	1.375	1.750	.177	.625	1.296	.686
24	1.7500	.672	1.047	.859	1.562	2.000	.177	.594	1.421	.585
28	2.0000	.672	1.047	.859	1.750	2.250	.177	.594	1.625	.591
32	2.2500	.672	1.110	.922	1.938	2.500	.209	.531	1.891	.528
36	2.5000	.672	1.110	.922	2.188	2.750	.209	.531	2.078	.528
40	2.7500	.672	1.110	.922	2.375	3.000	.209	.531	2.312	.528
44	3.0000	.672	1.110	.922	2.625	3.250	.209	.531	2.562	.778

All dimensions for reference only.

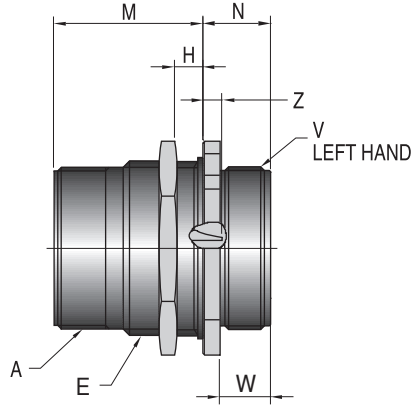
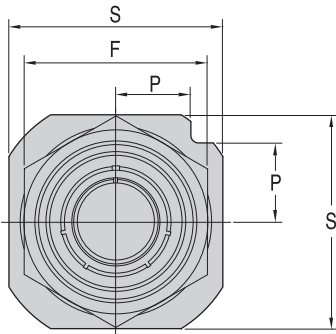
SUNGJIN CONNECTOR & CONNECTION TECHNOLOGIES

TEL : 82-31-318-0942 FAX : 82-31-318-0945 www.sjcnt.co.kr

MIL-C-22992, Classes C, J & R

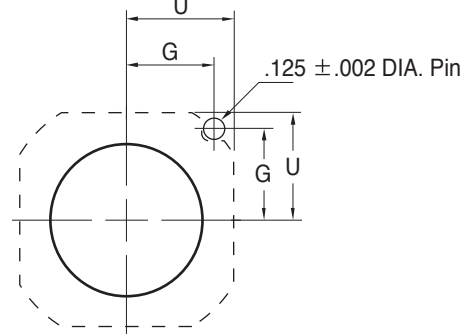


● MS17347(SJ17347) jam nut receptacle (wall mount)



Shell Size	K Dia. +.005 -.000	G ±.003	U ±.005
12,13	1.005	.562	.688
14,15	1.130	.606	.750
16,17	1.255	.699	.875
18	1.380	.739	.938
20	1.505	.783	1.000
22	1.630	.830	1.062
24	1.880	.919	1.188
28	2.130	1.007	1.312
32	2.380	1.096	1.438
36	2.630	1.183	1.562
40	2.880	1.292	1.703

Mounting dimensions



Shell Size	A thread Class 2B 0.1P-0.2L Double stub	E thread Class 2A (Plated)	F Hex +.017 -.016	H Panel Thickness		M ±.010	N +.021 -.020	P ±.010	S +.011 -.010	V thread Class 2A-LH (Plated)	W +.010	Z Max
				Min	Max							
12	.8750	1.000-20UNEF	1.250	.094	.188	.150	.641	.486	1.375	.750-20UNEF	.516	.483
14	1.0000	1.125-18UNEF	1.312	.094	.188	.150	.641	.530	1.500	.875-20UNEF	.516	.483
16	1.1250	1.250-18UNEF	1.500	.094	.188	.150	.703	.623	1.750	1.000-20UNEF	.516	.483
18	1.2500	1.375-18UNEF	1.562	.094	.203	.177	.703	.663	1.875	1.125-18UNEF	.516	.467
20	1.3750	1.500-18UNEF	1.750	.094	.203	.177	.703	.707	2.000	1.250-18UNEF	.516	.467
22	1.5000	1.625-18UNEF	1.875	.094	.203	.177	.703	.751	2.125	1.375-18UNEF	.516	.467
24	1.7500	1.875-16UN	2.125	.094	.265	.177	.703	.840	2.375	1.625-18UNEF	.516	.404
28	2.0000	2.125-16UN	2.375	.094	.277	.177	.785	.928	2.625	1.875-16UN	.516	.392
32	2.2500	2.375-16UN	2.625	.094	.215	.209	.785	1.017	2.875	2.0625-16UN	.516	.392
36	2.5000	2.625-16UN	2.875	.094	.215	.209	.785	1.104	3.125	2.3125-16UN	.516	.392
40	2.7500	2.875-16UN	3.125	.094	.215	.209	.972	1.213	3.406	2.625-16UN	.703	.392
44	3.0000	3.125-16UN	3.375	.094	.215	.209	.972	1.299	3.656	2.875-16UN	.703	.642

All dimensions for reference only.

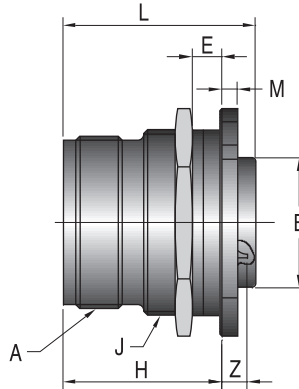
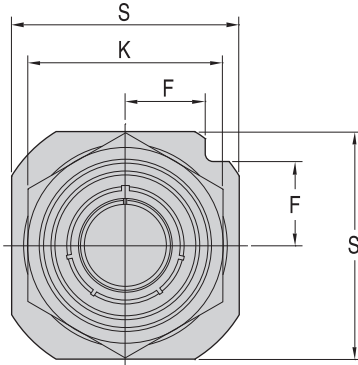
SUNGJIN CONNECTOR & CONNECTION TECHNOLOGIES

TEL : 82-31-318-0942 FAX : 82-31-318-0945 www.sjcnc.co.kr

MIL-C-22992, Classes C, J & R

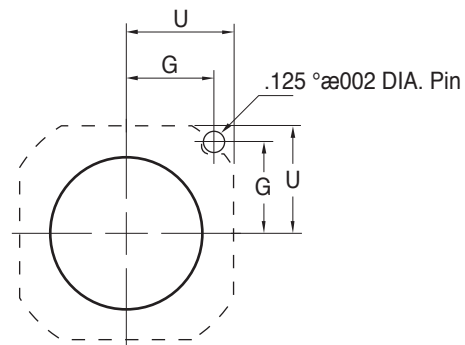


● MS17348(SJ17348) jam nut receptacle (wall mount)



Shell Size	K Dia. +.005 -.000	G ±.003	U ±.005
12,13	1.005	.562	.688
14,15	1.130	.606	.750
16,17	1.255	.699	.875
18	1.380	.739	.938
20	1.505	.783	1.000
22	1.630	.830	1.062
24	1.880	.919	1.188
28	2.130	1.007	1.312
32	2.380	1.096	1.438
36	2.630	1.183	1.562
40	2.880	1.292	1.703

Mounting dimensions



Shell Size	A thread Class 2B 0.1P-0.2L Double stub	M +.006 -.005	J thread Class 2A (Plated)	K Hex +.017 -.016	E Panel Thickness		L +.011 -.010	H ±.010	F ±.010	S +.011 -.010	B +.011 -.010	Z Max
					Min	Max						
12	.8750	.125	1.000-20UNEF	1.250	.094	.297	1.578	1.235	.486	1.375	.640	.389
14	1.0000	.125	1.125-18UNEF	1.312	.094	.297	1.578	1.235	.530	1.500	.765	.389
16	1.1250	.188	1.250-18UNEF	1.500	.094	.297	1.578	1.235	.623	1.750	.890	.389
18	1.2500	.188	1.375-18UNEF	1.562	.094	.266	1.578	1.203	.663	1.875	1.015	.421
20	1.3750	.188	1.500-18UNEF	1.750	.094	.266	1.578	1.203	.707	2.000	1.171	.421
22	1.5000	.188	1.625-18UNEF	1.875	.094	.266	1.578	1.203	.751	2.125	1.296	.421
24	1.7500	.188	1.875-16UN	2.125	.094	.328	1.641	1.266	.840	2.375	1.421	.358
28	2.0000	.219	2.125-16UN	2.375	.094	.328	1.641	1.329	.928	2.625	1.625	.295
32	2.2500	.219	2.375-16UN	2.625	.094	.328	1.641	1.329	1.017	2.875	1.891	.295
36	2.5000	.219	2.625-16UN	2.875	.094	.328	1.641	1.329	1.104	3.125	2.078	.295
40	2.7500	.219	2.875-16UN	3.125	.094	.328	1.641	1.329	1.213	3.406	2.312	.295
44	3.0000	.219	3.125-16UN	3.375	.094	.328	1.641	1.329	1.299	3.656	2.562	.545

All dimensions for reference only.

SUNGJIN CONNECTOR & CONNECTION TECHNOLOGIES

TEL : 82-31-318-0942 FAX : 82-31-318-0945 www.sjcnt.co.kr

MIL-C-22992, Classes C, J & R



● INSERT CONFIGURATIONS BY NUMBER OF CONTACTS

MIL-C-22992 classes C, J & R utilize MIL-C-5015 inserts, Shown on this page are the insert configurations which have been approved for use under MIL-STD-1651. For further information on these insert configurations.

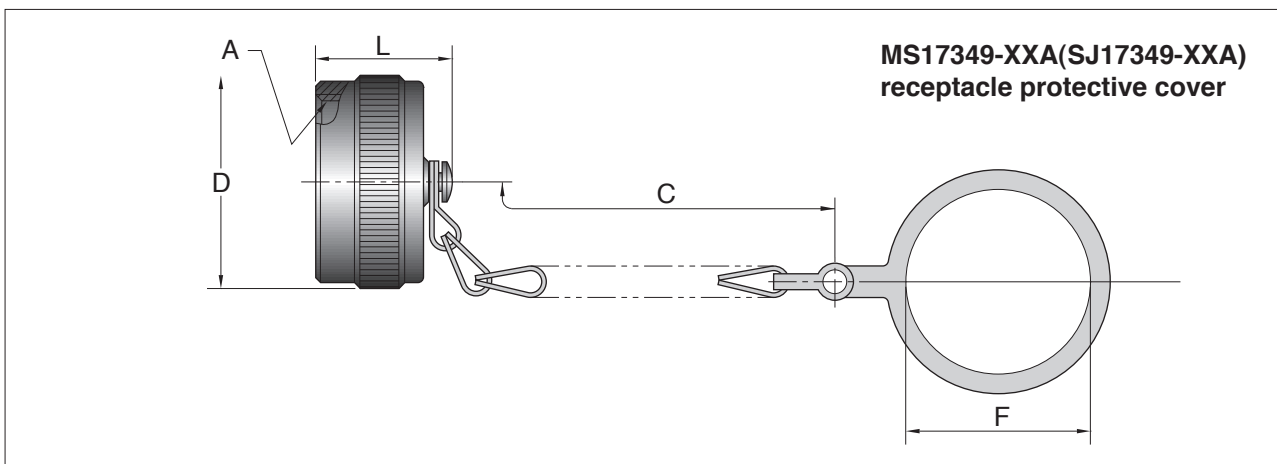
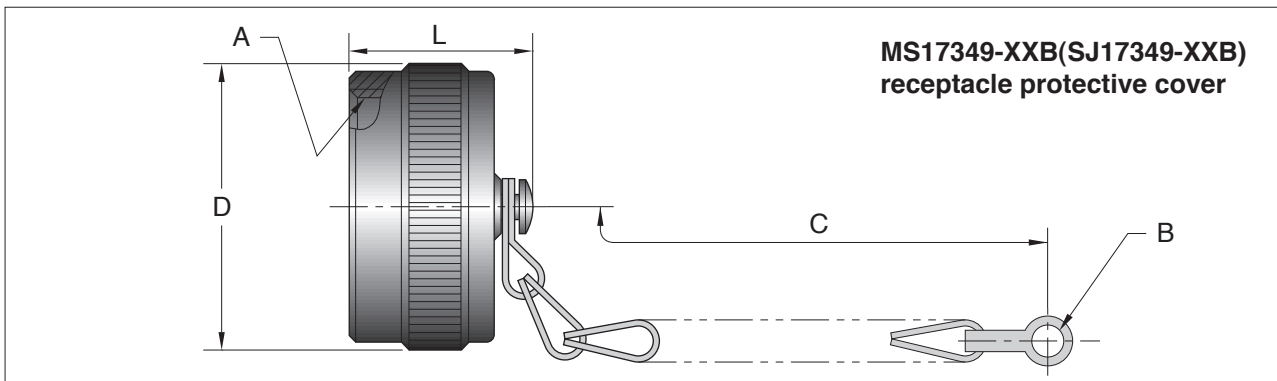
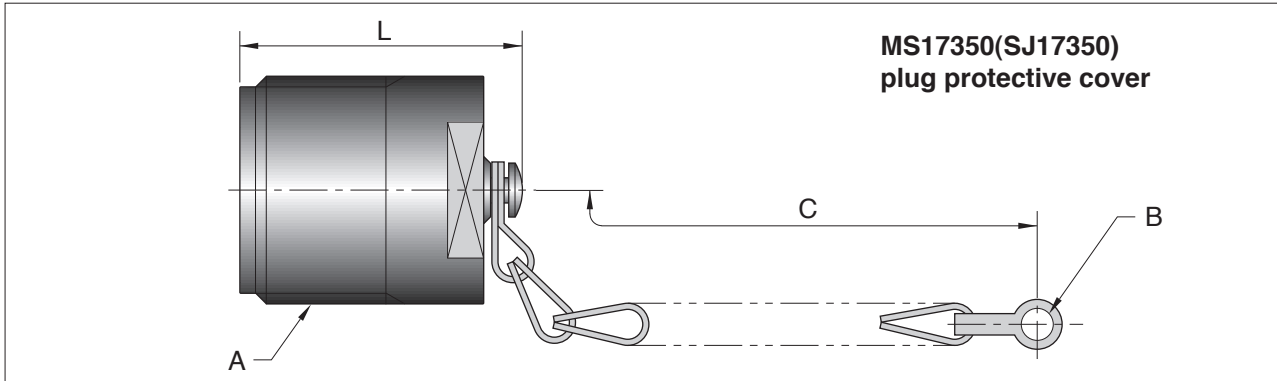
INSERT	TOTAL CONTACTS	SERVICE RATING	CONTACT SIZE				
			16	12	8	4	0
12-5	1	D		1			
14-3	1	A			1		
16-2	1	E		1		1	
16-12	1	A				1	
18-6	1	D			1		
18-7	1	B		1	(High Voltage)		
18-16	1	C					
20-2	1	D					1
22-7	1	E					1
16-11	2	A		2			
16-13	2	A		2			
18-14	2	A	1			1	
22-11	2	B	2				
16-7	3	A	2		1		
16-10	3	A		3			
18-5	3	D	1	2			
22-2	3	D			3		
22-9	3	E		3			
22-21	3	A	2				1
28-3	3	E			3		
16-9	4	A	2	2			
18-4	4	D	4				
18-13	4	A		3	1		
18-15	4	A		4			
20-4	4	D		4			
20-24	4	A	2		2		
22-10	4	E	4				
22-22	4	A			4		
24-22	4	D			4		
32-17	4	D				4	
36-5	4	A					4
18-11	5	A		5			
20-14	5	A		3	2		
22-12	5	D	3		2		
24-12	5	A		3		2	
28-5	5	D	2	1		2	
32-1	5	D&E		3			2
32-2	5	E	2			3	
20-8	6	INST	4		2		
20-17	6	A	1	5			
20-22	6	A	3		3		
22-5	6	D	4	2			
22-15	6	A&E	1	5			
28-22	6	D	3			3	
36-3	6	D		3			3
36-6	6	A				4	2
18-9	7	INST	5	2			
20-15	7	A		7			
24-2	7	D		7			
24-10	7	A			7		
24-16	7	A&D	3	3	1		
24-27	7	E	7				
28-10	7	A&D		3	2	2	
18-8	8	A	7	1			
20-7	8	A&D	8				
20-9	8	A&D		7			
22-18	8	A&D		8			
22-23	8	A&D			8		
22-36	8	A&D			8		
24-6	8	A&D			8		
32-15	8	D			6		2
20-16	9	A		7	2		
20-18	9	A		6	3		
20-21	9	A		8	1		
22-17	9	A&D		8	1		
22-27	9	A&D		8		1	
24-11	9	A		6		3	
28-1	9	A&D		6		3	
28-4	9	D&E		7	2		
32-3	9	D		4	2		1
18-1	10	INST&A	10				
24-21	10	D				1	
28-19	10	A,B&D	6	4			
20-33	11	A	11				
24-20	11	D		9	2		
28-8	12	A,D&E	10	2			
28-9	12	D	6	6			
28-18	12	INST,A,C&D	12				2
20-27	14	A	14				
22-19	14	A	14				
28-2	14	D	12	2			
28-20	14	A	4	10			
32-9	14	D	12				
28-17	15	A,B&D	15				
24-7	16	A	14	2			
20-29	17	A	17				
22-14	19	A	19				
28-11	22	A	18	4			
24-80	23	INST	23				
32-6	23	A	16	2	3	2	
32-13	23	D	18	5			
24-28	24	INST	24				
28-23	24	INST	21				+3 #8shielded
28-24	24	INST	21				+3 #8shielded
28-12	26	A	26				
40-1	30	D	24	6			
36-9	31	A	14	14	2	1	
28-15	35	A	35				
32-7	35	INST&A	28	7			
36-15	35	A&D	35				
28-21	37	A	37				
32-73	46	A	46				
36-7	47	A	40	7			
36-8	47	A	46	1			
40-9	47	A	24	22	1		
36-10	48	A	48				
36-52	52	A	52				
36-66	56	A	52	4			
40-15	60	INST	57				+3 #8shielded
40-56	85	A	85				
44-52	104	A	104				

SUNGJIN CONNECTOR & CONNECTION TECHNOLOGIES

TEL : 82-31-318-0942 FAX : 82-31-318-0945 www.sjcnt.co.kr



● Protective covers



MIL-C-22992, Accessories



● Protective covers

Order MS - approved covers as per coded part number example :

Shell Size	A thread Class 2A(Plated) 0.1P-0.2L Double stub	B Dia +.010 -.005	C Approx.	L Max
12	.8750	.156	5.000	1.500
14	1.0000	.156	5.000	1.500
16	1.1250	.156	5.000	1.500
18	1.2500	.180	5.000	1.500
20	1.3750	.180	5.000	1.500
22	1.5000	.180	6.000	1.500
24	1.7500	.180	6.000	1.500
28	2.0000	.180	6.000	1.500
32	2.2500	.209	6.000	1.500
36	2.5000	.209	6.000	1.500
40	2.7500	.209	6.000	1.500

PART NUMBER

MS17350	C	28	A
1	2	3	4

MS Number -

MS17350 designated plug protective cover
ms17349 designated receptacle protect cover

Cover Finish - C for conductive, N for non-conductive.

Cover Size - Shell size of connector with which cover is used.

Cover Type - (MS17349 only) -

A - Washer Termination, used with :

MS17345 line (cable connecting) plug

MS17347 jam nut receptacle

MS17348 jam nut receptacle

B - Eyelet Termination - used with :

MS17343 wall mount receptacle

MS17346 box mount receptacle

Shell Size	A thread Class 2B 0.1P-0.2L Double stub	B +.010 -.005	C Approx	D Dia. Max	F +.010 -.000	L Max
12	.8750	.156	5.000	1.094	1.016	.765
14	1.0000	.156	5.000	1.219	1.141	.765
16	1.1250	.156	5.000	1.344	1.266	.980
18	1.2500	.180	5.000	1.469	1.391	.980
20	1.3750	.180	5.000	1.562	1.516	.980
22	1.5000	.180	6.000	1.688	1.641	.980
24	1.7500	.180	6.000	1.938	1.891	.980
28	2.0000	.180	6.000	2.219	2.141	.980
32	2.2500	.209	6.000	2.469	2.391	.980
36	2.5000	.209	6.000	2.719	2.641	.980
40	2.7500	.209	6.000	2.969	2.891	.980

All dimensions for reference only.

SUNGJIN CONNECTOR & CONNECTION TECHNOLOGIES

TEL : 82-31-318-0942 FAX : 82-31-318-0945 www.sjcnc.co.kr